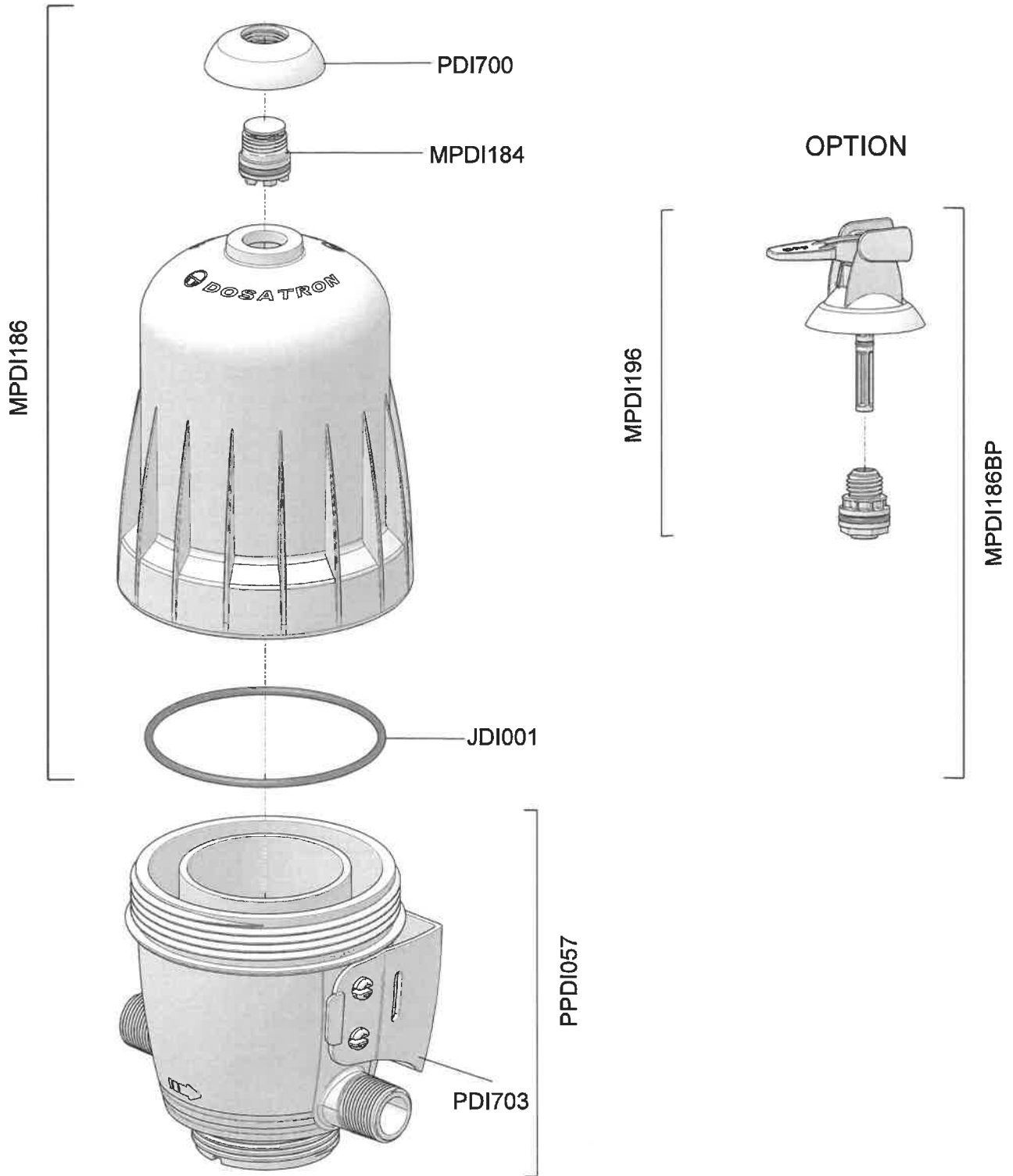
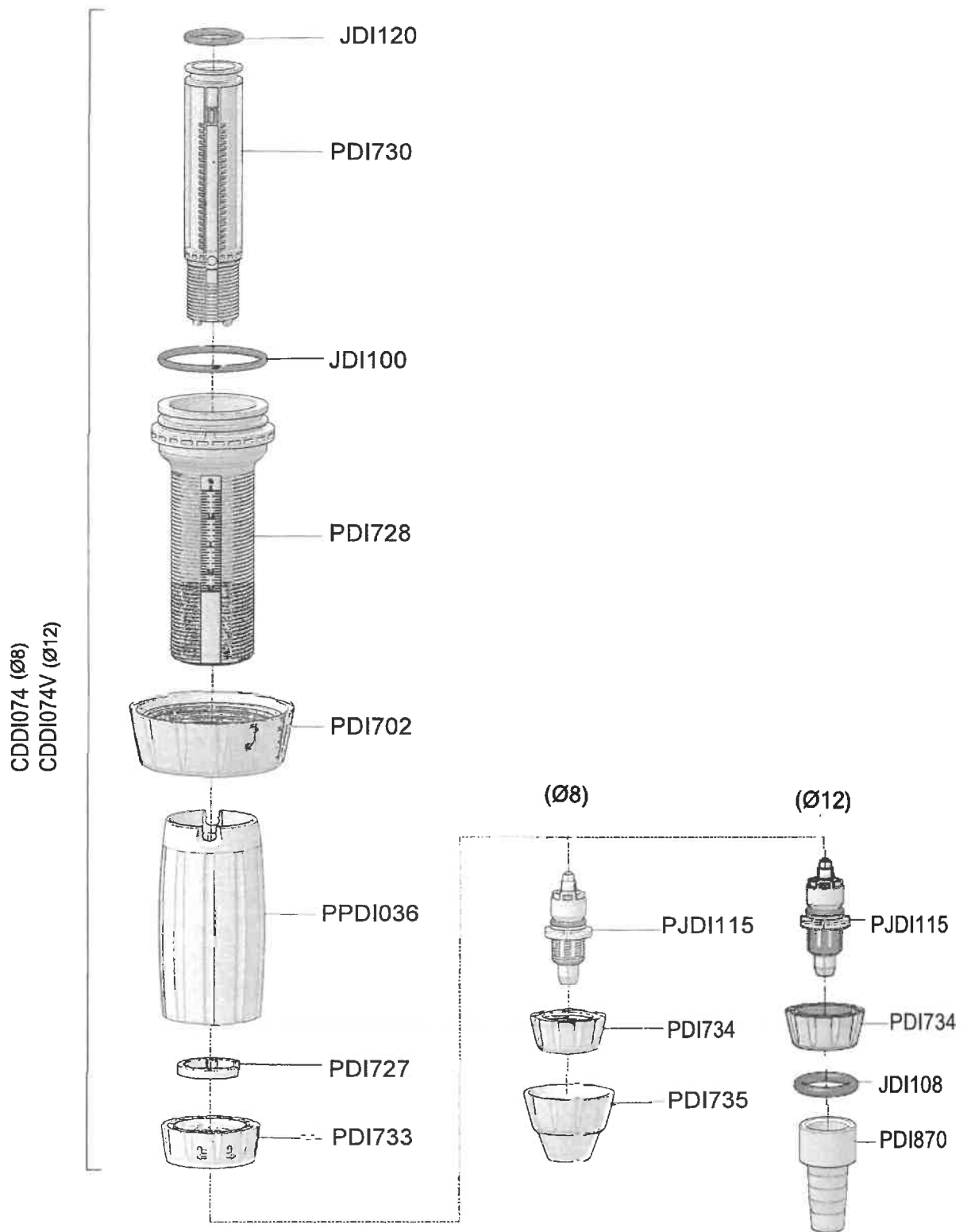


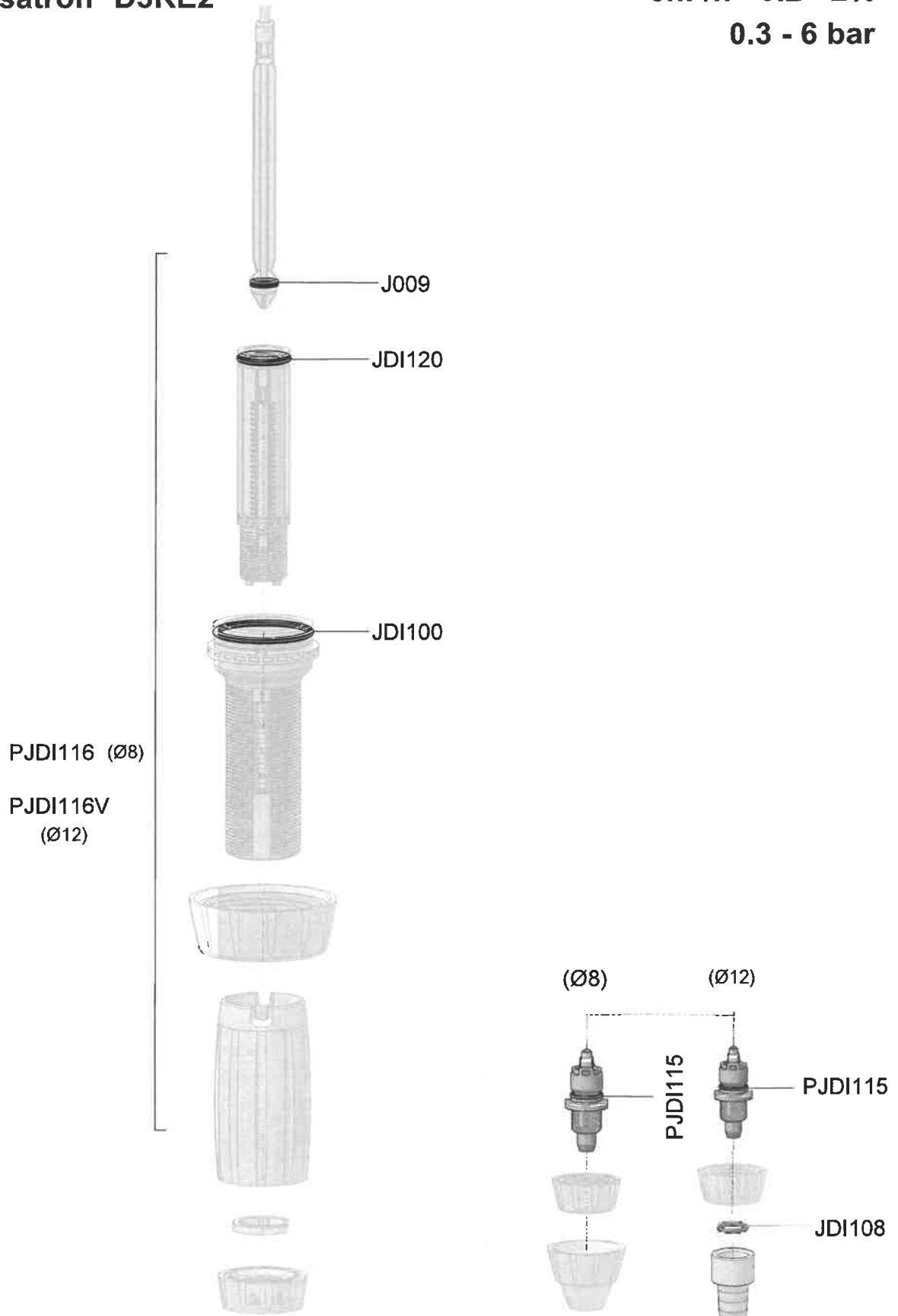
Dosatron D3RE2

3m³/h - 0.2 - 2%
0.3 - 6 bar

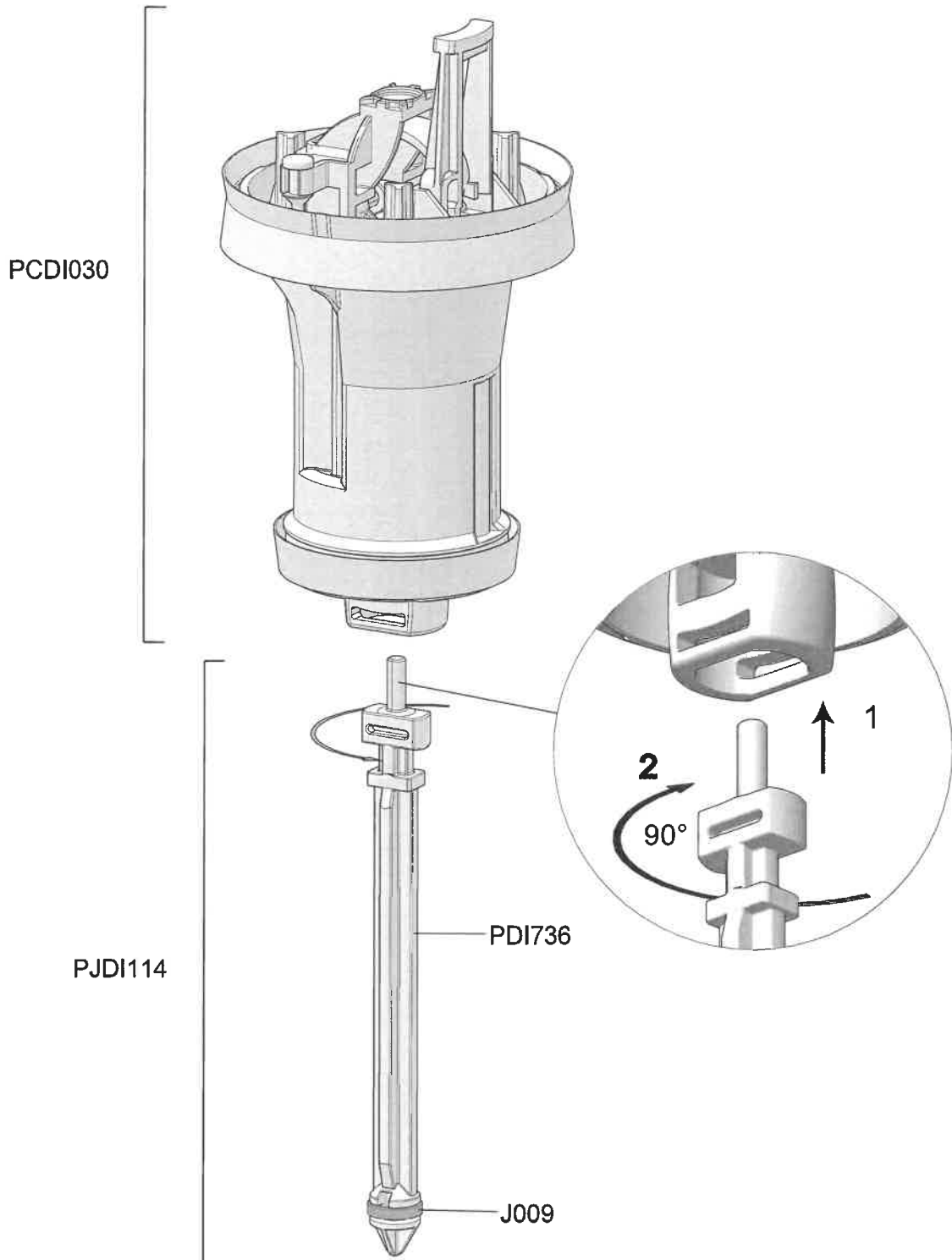


PVDF - MPDI186P - Bell Housing Assembly PVDF
MPDI186BPP - Bell Housing Assembly PVDF and By Pass
PPDI057P - D3 Lower Body PVDF and Wall Bracket





Seal Kits - PJD116 (Ø8)
(J009, JDI120, JDI100, PJD115)
PJD116V (Ø12)
(J009, JDI120, JDI100, PJD115, JDI108)



Option V''

