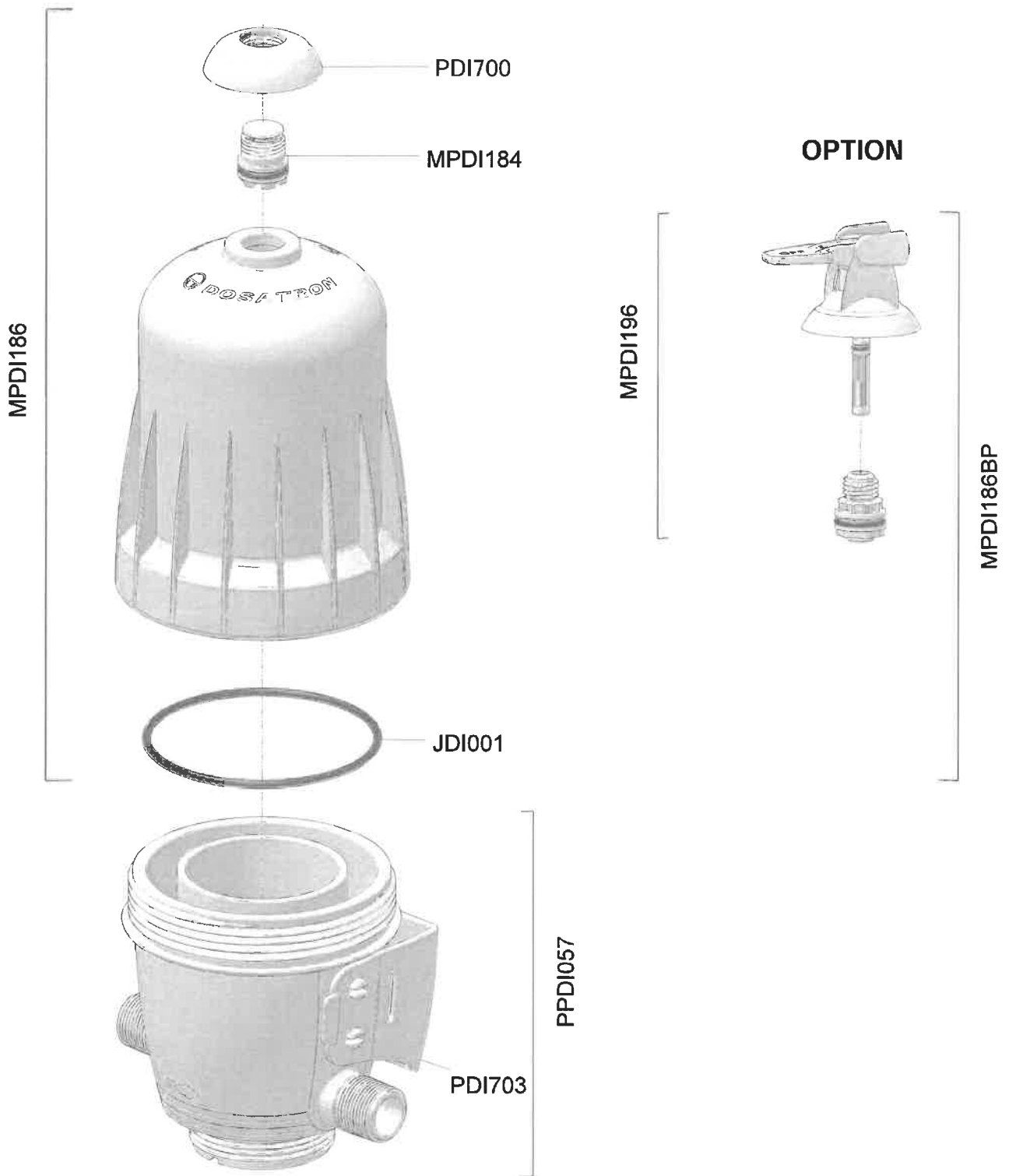


# Dosatron D3RE5

3m<sup>3</sup>/h - 0.5 - 5%  
0.3 - 6 bar



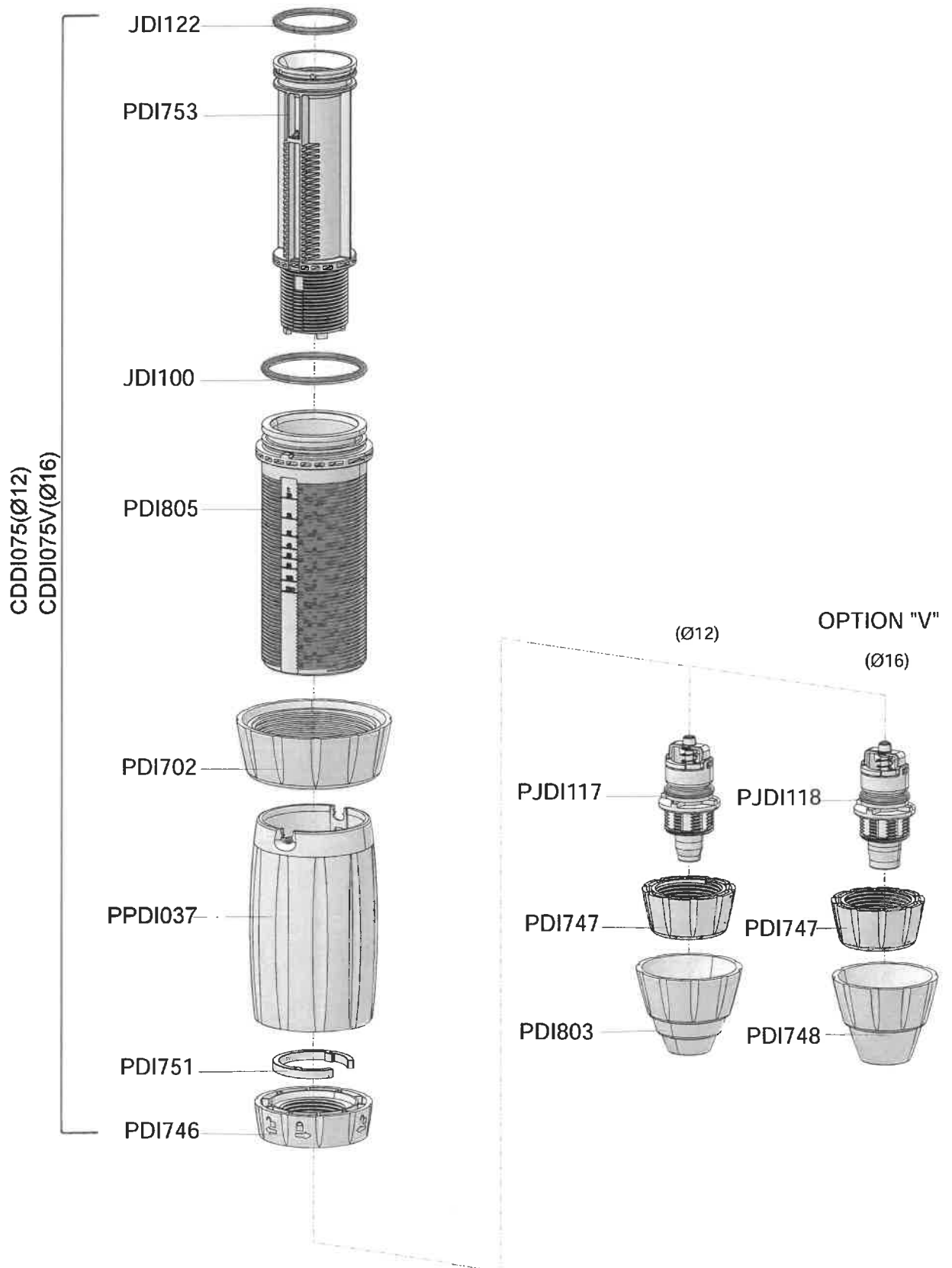
PVDF - MPDI186P - Bell Housing Assembly PVDF

MPDI186BPP - Bell Housing Assembly PVDF and By Pass

PPDI057P - D3 Lower Body PVDF and Wall Bracket

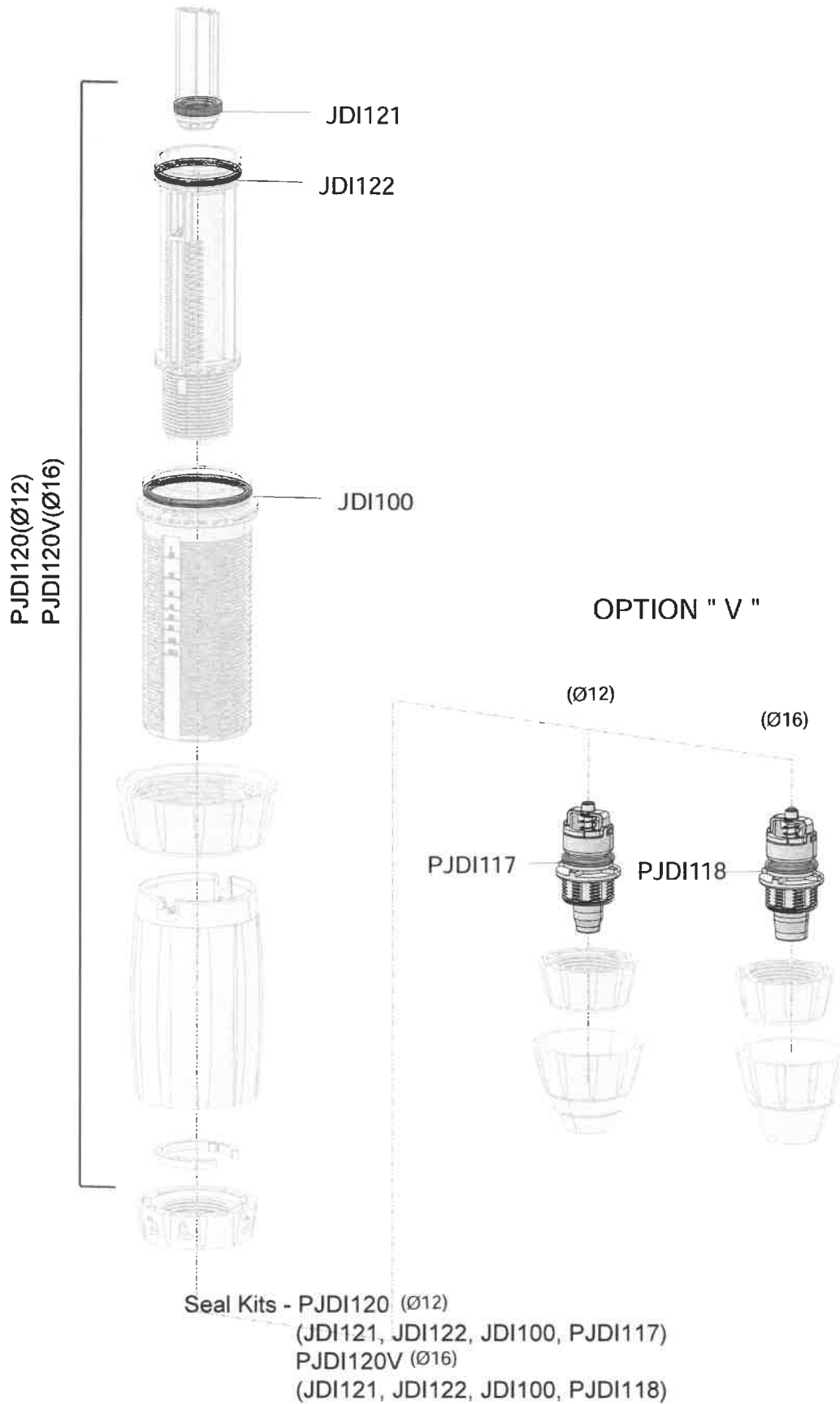
# Dosatron D3RE5

3m<sup>3</sup>/h - 0.5 - 5%  
0.3 - 6 bar



# Dosatron D3RE5

3m<sup>3</sup>/h - 0.5 - 5%  
0.3 - 6 bar



Dosatron D3RE5

3m<sup>3</sup>/h - 0.5 - 5%  
0.3 - 6 bar

