



DOSATRON®

WATER POWERED DOSING TECHNOLOGY

The DIaphragm Range - 2.5 m³/h

DIA 2 F
DIA 4 RE



manuel d'utilisation
owner's manual
gebrauchsanweisung
manuale d'uso
manual de utilización
gebruiksaanwijzing
руководство по
эксплуатации
instrukcja obsługi
manual de utilização



DOSATRON®

WATER POWERED DOSING TECHNOLOGY

SERVICE CLIENTÈLE
CUSTOMER SERVICE
KUNDENBETREUUNG
SERVIZIO CLIENTI
DEPARTAMENTO CLIENTELA
KLANTENSERVICE
СЛУЖБА ПОДДЕРЖКИ КЛИЕНТОВ
DZIAŁ OBSŁUGI KLIENTA
SERVIÇO DE APOIO AO CLIENTE

DOSATRON INTERNATIONAL S.A.S.

Rue Pascal - B.P. 6 - 33370 TRESSES (BORDEAUX) - FRANCE

Tel. 33 (0)5 57 97 11 11

Fax. 33 (0)5 57 97 11 29 / 33 (0)5 57 97 10 85

e.mail : info@dosatron.com - <http://www.dosatron.com>



English

This document does not form a contractual engagement on the part of Dosatron International and is for information only. Dosatron International reserves the right to alter product specification or appearance without prior notice.

© DOSATRON INTERNATIONAL S.A.S. 2011.

You have just become the owner of one of the latest in the line of DOSATRON water powered metering pumps and we congratulate you on your choice.

The development of this model is the result of over 30 years experience. Our engineers have placed the DOSATRON series at the forefront of technical development in the field of DOSATRON water powered metering pumps.

This DOSATRON will, as time goes by, prove itself to be a most faithful ally.

A little care and attention, regularly spent, will guarantee you an operation in which the word breakdown has no place.

**THEREFORE, PLEASE, READ THIS MANUAL CAREFULLY
BEFORE PUTTING THE DOSATRON INTO OPERATION.**

Important !

The complete model reference and the serial number of your DOSATRON is stamped **on the pump body**.

Please record this number in the space below and refer to it when you call your distributor for information, parts, and service.

Ref. #

Serial #

Purchase Date

.....

SPECIFICATIONS

	DIA 2F	DIA 4 RE
Practical operating flow range :	4.5 l/h MINI - 2.5 m³/h MAXI [0.02 US GPM-11 US GPM]	
Maximum operating temperature :	40° C [104° F]	
Minimum operating temperature :	5° C [41° F]	
Operating pressure :		
BAR	0.15 - 5.5	0.15 - 4
PSI	[2.2 - 80]	[2.2 - 57]
Externally adjustable injection rate :		
%	2	1 - 4
Ratio	[1:50]	[1:100 - 1:25]
Concentrated additive injection :		
MINI l/h - MAXI l/h	0.090 - 50	0.045 - 100
US Fl. oz/min - MINI	0.051	0.026
US GPM - MAXI	0.22	0.36
Connections (NPT/BSP gaz male) :	Ø 20 x 27 mm [3/4"]	
Hydraulic motor capacity (for every 2 clicks)	about 0.47 l [0.124 US Gallons]	

**NOTE : The DOSATRON is not preset, see chapter
ADJUSTING THE INJECTION RATE.**

UNIT SIZE		
Diameter : cm ["]	15.2 [6]	15.2 [6]
Total height : cm ["]	33.6 [13 1/4]	36.5 [14.36]
Total Width : cm ["]	18 [7 1/8]	18 [7 1/8]
Weight : ± kg ["]	1.7 [3.7]	2 [4.4]

SHIPPING CONTENTS : 1 DOSATRON / 1 mounting bracket for DOSATRON + strap / 1 suction tube of concentrated additive / 1 strainer / 1 owner's manual.

PACKAGE SIZE :

40 x 17.5 x 17.5 cm [15 3/4" x 6 9/10" x 6 9/10"].

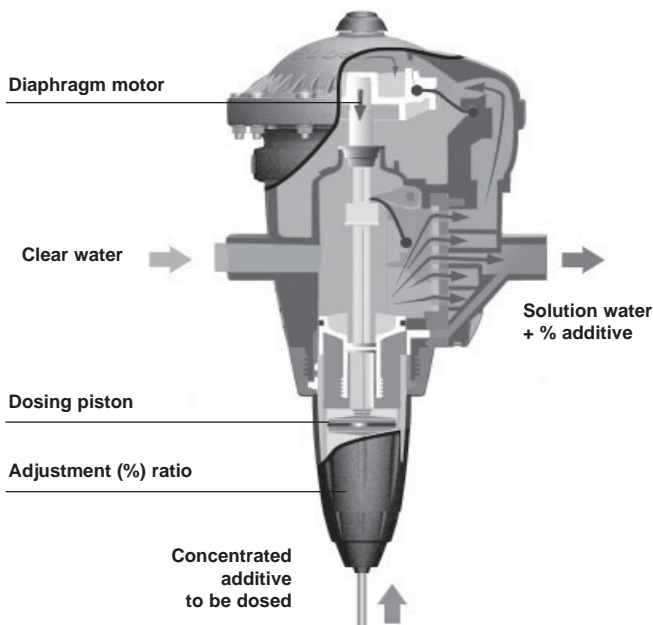
PACKAGE WEIGHT : 2 kg approx [~ 5 US lbs].

Summary

INSTALLATION	PAGE
Precautions	8
Assembling the Dosatron	11
Installation hints	14
PUTTING INTO ORDER	
Using for the first time	17
By-pass	17
MAINTENANCE	
Recommendations	18
How to drain the Dosatron	18
International conversions	19
Fitting the suction tube	19
Adjusting the injection rate	20
Changing seals in the injection assembly	21
Changing seals in the actuator assembly	24
REFERENCE DESIGNATION	25
TROUBLESHOOTING	26
LIMITED WARRANTY	29

Precise, simple and reliable

Installed directly in the water supply line, the DOSATRON operates by using water pressure as the power source. The water activates the DOSATRON, which takes up the required percentage of concentrate. Inside the DOSATRON, the concentrate is mixed with the water. The water pressure forces the solution downstream. The dose of concentrate will be directly proportional to the volume of water entering the DOSATRON, regardless of variations in flow or pressure which may occur in the main line.



Installation

PRECAUTIONS

1 - GENERAL REMARKS

- **When connecting a DOSATRON either to the public water supply or to its own water source, you must respect the regulations in force concerning protection of the source i.e. backflow prevention, etc.**

- When connecting the DOSATRON to the water supply, ensure that the water flows in the direction of the arrows on the unit.


- In a case where the water installation is higher than the DOSATRON itself, there is a possible risk of water and concentrate flowing back through the DOSATRON. In this case, installing a non-return valve downstream is recommended.

- It is recommended that you should place an anti-siphon valve on the downstream side of the dosing pump in installations in which there is a risk of siphoning.

- Do not install the DOSATRON just above an acid container, (risk of acid fumes attacking the DOSATRON) and protect it from possible contact with corrosive products.

- Protect the DOSATRON from freezing temperatures by draining it and store it away from sources of excessive heat.

- Do not install the DOSATRON on the suction side of the supply pump (risk of siphoning).

 **IMPORTANT !** Use no tool or metallic utensils.

- During any intervention the operator must stay in front of the DOSATRON and wear protective eyewear and gloves.

- It is the responsibility of the owner/operator to replace the injection seals annually to ensure precise injection.

The setting of the Dosatron's dosing rate is the sole responsibility of the user. The user has to respect the recommendations given by the manufacturer of the chemical product.

AVERTISSEMENT

When installing, operating, and maintaining the DOSATRON water powered metering pump, keep safety considerations foremost. Use proper tools, protective clothings, and eye protection when working on the equipment and install the equipment with a view toward ensuring safe operation.

Follow the instructions in this manual and take additional safety measures appropriate to the liquid being pumped and the temperature of the water that powers the DOSATRON.

PRECAUTIONS (cont...)

1 - GENERAL REMARKS (cont...)

Be extremely careful in the presence of hazardous substances (e.g. corrosives, toxins, solvents, acids, caustic, flammables, etc.).

- Before applying any aggressive chemicals, please consult your distributor to confirm compatibility with the dosing pump.

- When installing the DOSATRON on a hot water system (60° C/140° F max.), a dosing unit with "T"-option is required. High temperature increases the risk and the dangerousness of the substances mentioned above. It is strongly recommended to identify and label the dosing unit and the complete hot water installation as such, and to respect the corresponding regulations in force.

WARNING!

The personnel being responsible for installation, use and maintenance of this material must be perfectly familiar with the contents of this manual.

It is the responsibility of the owner/operator to check that the flow and pressure of the installation do not exceed the DOSATRON characteristics.

- Adjustment must be made when there is no pressure in the Dosatron. -Turn off the water supply and allow the pressure to

drop to zero.

- It is the responsibility of the owner/operator of the DOSATRON, to determine the correct amount of solution and injection ratio to obtain the desired result.

- An air inlet, an impurity or a chemical attack on seal can interrupt the dosing function. It is recommended to periodically check that the solution is being correctly drawn up into the DOSATRON.

- Change the suction tube as soon as it seems damaged by the chemical.

- Relieve the pressure after use (advised).

- Rinsing of the DOSATRON is required :

. when changing chemicals,
. before handling the DOSATRON, to avoid any contact with the chemical.

- All assembly should be done without tools, hand tighten only.

2 - WATER WITH HIGH PARTICLE CONTENT


- A (ex.: 60 microns - 300 mesh depending on your water quality) water filter **must be installed** upstream from the DOSATRON (see accessories), if a filter is not installed abrasive substances will cause the DOSATRON to deteriorate prematurely.

3 - WATER-HAMMER / EXCESSIVE FLOW

- For installations subject to water hammer a protection device such as a check valve or union ball check must be fitted (pressure/flow control system).
- For automatic installations, slow opening and closing solenoid valves are preferable.
- In an installation where a DOSATRON serves several sectors, the closing of one sector and the opening of another sector must be done at the same time (simultaneous operation of the solenoid valves).

4 - INSTALLATION LOCATION

- The location of the DOSATRON and concentrate container should be accessible, but should never present a risk of pollution or contamination.
- It is recommended to label all water lines with a warning about the injected solution i.e.

 **IMPORTANT ! Not For Human Consumption.**

5 - MAINTENANCE

- Rinse the injection areas after using the DOSATRON. To do this, insert suction tube into a container of clean water and inject about 1 liter [0.264 US Gallons].
- Routine maintenance once a

year will add to the life of your DOSATRON. Replace the injection seals as well as the suction hose annually to ensure proper injection.

6 - SERVICE

- This DOSATRON was tested prior to packaging.
- Complete maintenance and seal kits are available.
- Call your DOSATRON distributor for service or parts.

ASSEMBLING THE DOSATRON

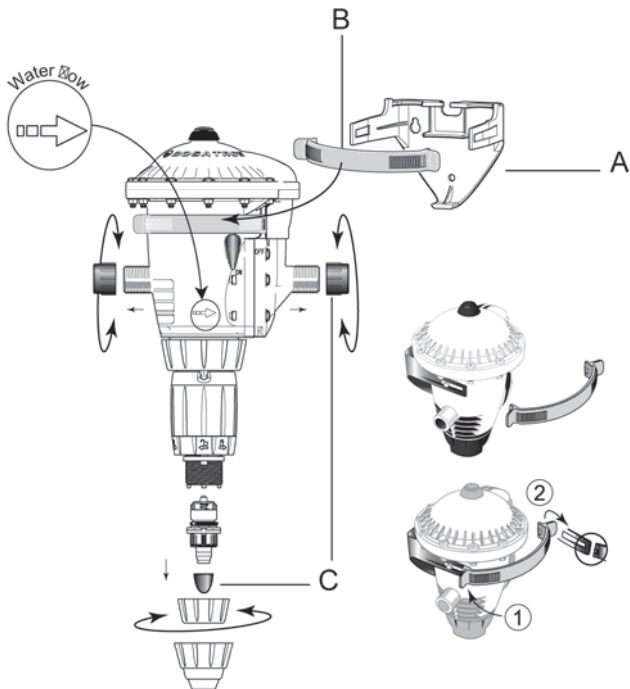


Fig. 1

ASSEMBLY SHOULD BE CARRIED OUT WITHOUT THE USE OF TOOLS

The DOSATRON is delivered with :

- a mounting bracket (**Fig. 1-A**) and a strap (**Fig. 1-B**),
- a suction tube with a strainer.

The bracket enables the DOSATRON to be fixed to a wall.

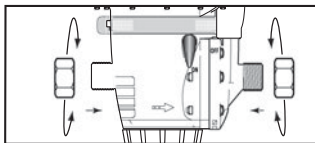
Make certain that the water flows in the direction of the arrows on the pump body.

Snap the DOSATRON into the bracket by fitting the two arms of the bracket around the DOSATRON.

Fix the strap on the bracket by fitting the two lugs on the strap into the holes in the arms of the bracket.

Remove the plastic caps (**Fig. 1-C**) which block the inlet and outlet of your DOSATRON before connecting to the water supply.

RECOMMENDATIONS



**Torque 20 Nm
thus 2kg
(Remember : 1 Nm = 0,1 DaN)**

The DOSATRON can be connected to the water supply by means of $\varnothing 20 \times 27$ [3/4"] bore flexible hose and hose tail fittings with hose clips.

The DOSATRON is delivered with a suction tube (cut it to the needed length) enabling its use with a large capacity concentrate container.

The tube must be fitted with its strainer and weights.

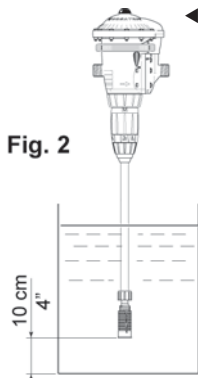
The instructions for fitting the tube are to be found in the specific chapter.

NOTE : The maximum suction height is 4 meters (13 vertical feet).

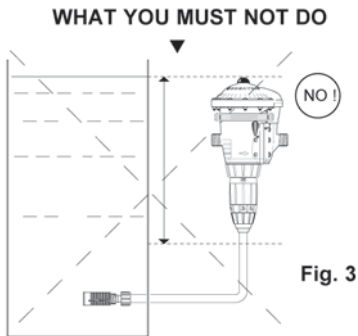
Fit the tube, equipped with its strainer and its weight, and immerse it in the solution to be injected.

ASSEMBLING THE DOSATRON (cont...)

IMPORTANT ! - Do not put the suction tube strainer on the bottom of the stock solution container. The strainer must be suspended at least 10 cm [4"] above the bottom of the tank to avoid sucking up the insoluble particles that may damage the injection assembly (Fig.2).
- Do not put the strainer on the ground.



◀ **WHAT YOU SHOULD DO**



Under no circumstance should the solution level be above the water inlet of the DOSATRON (to avoid siphoning situations) (Fig. 3).

INSTALLATION HINTS

The DOSATRON can be connected to the main water line **directly (Fig. 4)**, on a **by-pass (Fig. 5)**.

If your flow rate is above the operating limits of the DOSATRON, see § EXCESSIVE FLOW.

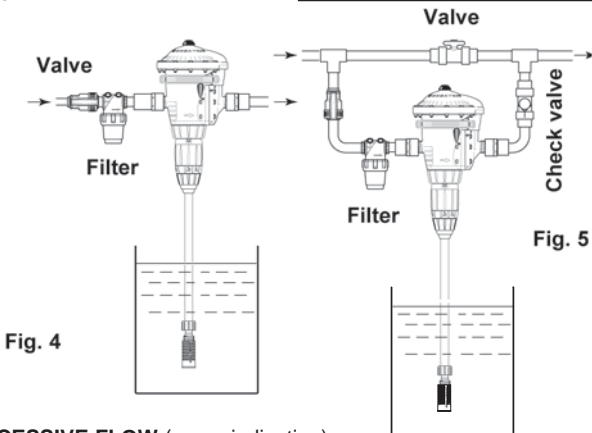
To prolong the working life of the DOSATRON it is advisable to install a filter (ex.: 300 mesh - 60 microns depending on your water quality) upstream.

This is imperative if the water contains impurities or particles, especially if the water comes from a well.

A filter is recommended and required for the warranty to be valid.

Installing the DOSATRON on a bypass enables clean water to be supplied without operating the DOSATRON and the DOSATRON to be easily dismantled.

When connecting an installation to the public water supply, you must respect the rules and regulations in force in the country.



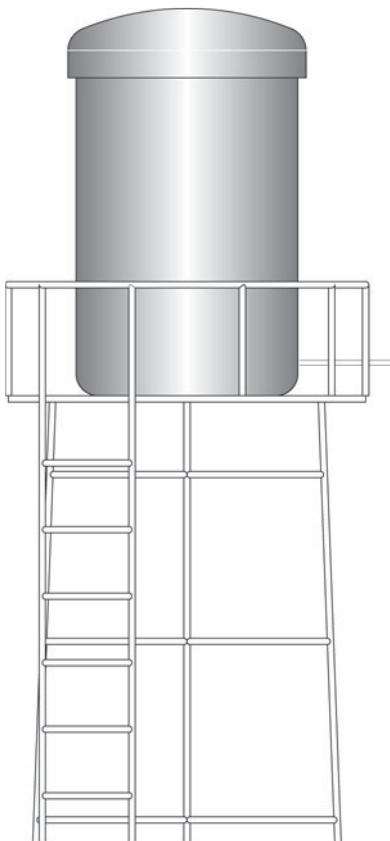
EXCESSIVE FLOW (as an indication).

If your DOSATRON clicks more than **46 times**, that is **23 cycles in 15 seconds**, you are close to the superior flow limit. If you need more flow, you must install a DOSATRON with a superior capacity of flow.

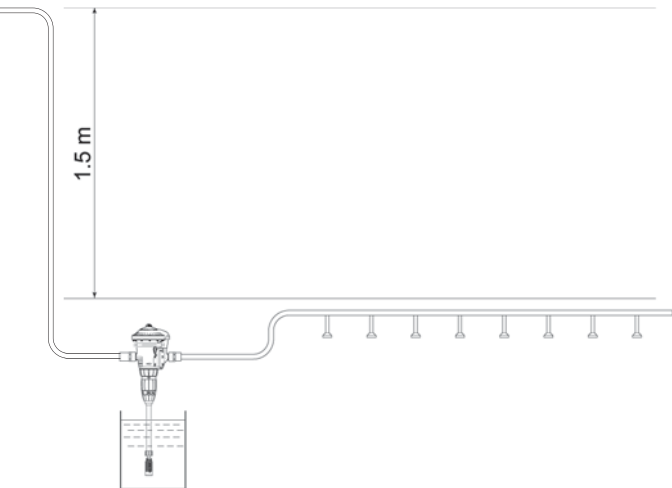
INSTALLATION FOR OPERATION THROUGH GRAVITY

NOTA : A **1.5 m** (0.15 BAR) head of water is enough to start the DIA* unit.

* factory test with free outlet



According to required installation type and water flow provide for hydraulic head over 1.5 m (taking into account pressure loss from the components of the installation such as filter, hose lengths, check-valves etc...).



Putting the DOSATRON into order

USING FOR THE FIRST TIME

- Partially open the water inlet valve.
- Press the bleed button on the top of the DOSATRON (**Fig. 6**).
- When a constant flow of water is seen coming from around the bleed button (no more «spitting» of air), release the button.
- Open the water inlet valve slowly, the DOSATRON is self-priming.
- Operate the DOSATRON until the product to be injected is drawn up into the doser body (the product is visible through the plastic tube).
- The DOSATRON makes a characteristic “click-clack” noise when working.

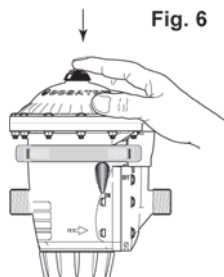


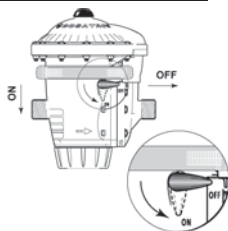
Fig. 6

NOTE: The time required to prime the suction tube depends on the water flow-rate, the ratio setting and the length of the suction tube. To bleed the air from the suction tube and accelerate the priming, set the injection rate at maximum. Once the DOSATRON is primed, adjust to the required injection rate (see § ADJUSTING THE INJECTION RATE).

BY-PASS

The DOSATRON is fitted with the function by-pass.

- By-pass in **ON**, the DOSATRON works and the concentrate is drawn up.
- By-pass in **OFF**, the DOSATRON is stopped and does not draw up the product.



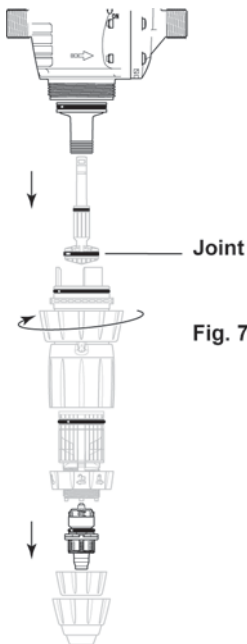
Maintenance

RECOMMENDATIONS

1 - When using soluble products to be made up into solutions, we recommend the periodic dismantling of the entire dosing part (see : § CLEANING AND REFITTING THE SUCTION VALVE, § CHANGING SEALS IN THE INJECTION ASSEMBLY).

Thoroughly rinsing all the elements of the dosing part with water and re-assembling them after having previously lubricated the seal (**Fig. 7**) with a silicone lubricant, in the case of difficulty in re-fitting.

2 - Before putting the DOSATRON into operation after a non-use period, remove the plunger assembly with seals and soak it into lukewarm water < 40° C [104° F] during some minutes. This helps to dissolve any deposits.



HOW TO DRAIN THE DOSATRON (in case of freezing temperature)

- Turn off the water supply and let the pressure drop to zero.
- Remove the injection assembly.
- Disconnect the water inlet and outlet fittings.
- Remove the lower pump body from the mounting bracket and empty any remaining water.
- The DOSATRON can now be reassembled, having first cleaned the seal.

INTERNATIONAL CONVERSIONS

Principle : Setting at 1% $\Rightarrow 1/100 = 1$ part of concentrate for 100 parts of water.

Ex. : Setting at 2% $\Rightarrow 2/100 = 2$ parts of concentrate for 100 parts of water.

Ratio $\Rightarrow 1/50$.

FITTING THE SUCTION TUBE

If the DOSATRON has already been used, please **imperatively** refer to § PRECAUTIONS.

- Unscrew the nut (**Fig. 8-E**) at the bottom of the injection assembly and put it onto the tube.

- Push the tube onto the barbed fitting **as far as** it will go and screw up the nut **by hand**.

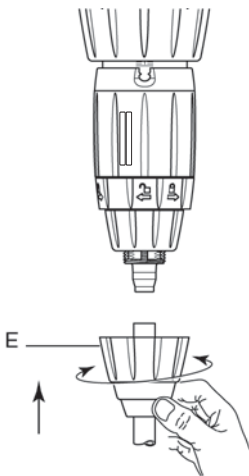


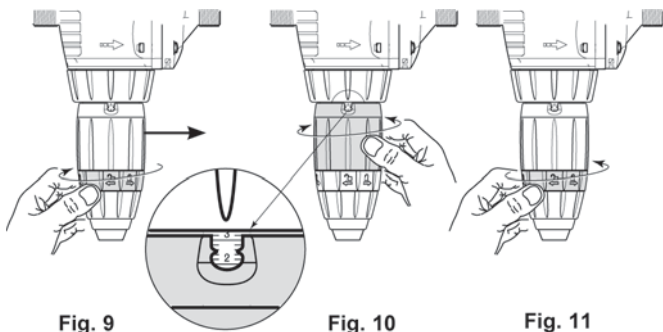
Fig. 8

ADJUSTING THE INJECTION RATE (with pressure off)

IMPORTANT ! Use no tool or metallic utensils.

Adjustment must be made when there is no pressure in the DOSATRON.

- Turn off the water supply and allow the pressure to drop to zero.
- Unscrew the retaining ring (**Fig. 9**).
- Screw or unscrew the adjusting nut in order to line up the 2 peaks of the eyelet with the desired ratio on the scale (**Fig. 10**).
- Tighten the blocking ring (**Fig. 11**).



CHANGING SEALS IN THE INJECTION ASSEMBLY (with pressure off)

Frequency : At least once per year.

IMPORTANT ! Use no tool or metallic utensils.

ADVICE: Before dismantling any part of the injection assembly it is advisable to operate the DOSATRON, injecting clean water so as to rinse through the injection system. In this way, risks of contact with concentrated solutions in the injection assembly are minimized.

During any such intervention, wear protective eyewear and gloves !

METHOD OF REMOVING SEAL

Fig. 12 : Between finger and thumb, pinch the component and the seal ; push towards one side to deform the seal.

Fig. 13 : Increase the deformation to grip the part of the seal thus exposed and pull it out of its groove.

Clean the seal seating without any tools.

Refitting is done by hand.

It is very important that the seal is not twisted once in place as this would impair its efficiency.



Fig. 12

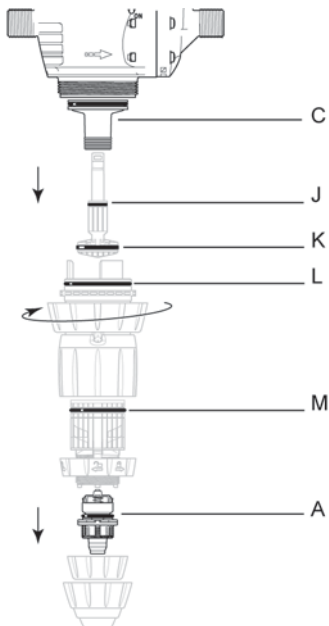


Fig. 13

CHANGING THE DOSING SEALS

- Change the seals at least once per year.
- Wear protective eyewear and gloves.
- Rinse the DOSATRON and the injection areas by injecting clean tepid water.
- Turn off the water supply and allow the pressure to drop to zero.
- Take off the suction tube of product.
- Take apart the injection assembly.
- Pull downwards to remove it.
- Change out the isolation body (**Fig. 14-C**), the seals (**Fig. 14-J/K/L/M**) and the suction valve assembly (**Fig. 14-A**).
- Reassemble in the reverse order **by hand**.

Fig. 14



CLEANING AND RE-ASSEMBLING THE SUCTION VALVE SEAL

- Turn off the water supply and allow the pressure to drop to zero.
- Unscrew the nut and pull downwards to remove the suction tube (**Fig. 15**).
- Unscrew and take off the suction valve retaining nut (Fig. 16), pull out the valve assembly, dismantle the valve and thoroughly rinse the separate components in clear water.
- Re-assemble the components in the order and the plan position (**Fig. 17**).



Fig. 15

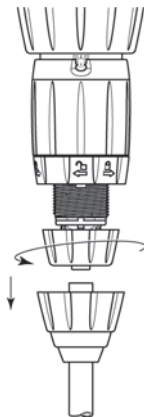


Fig. 16

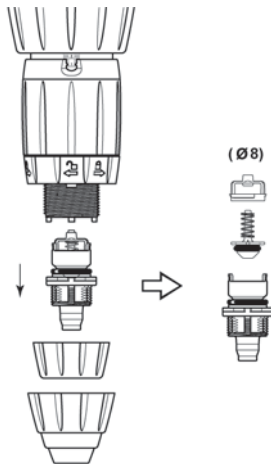
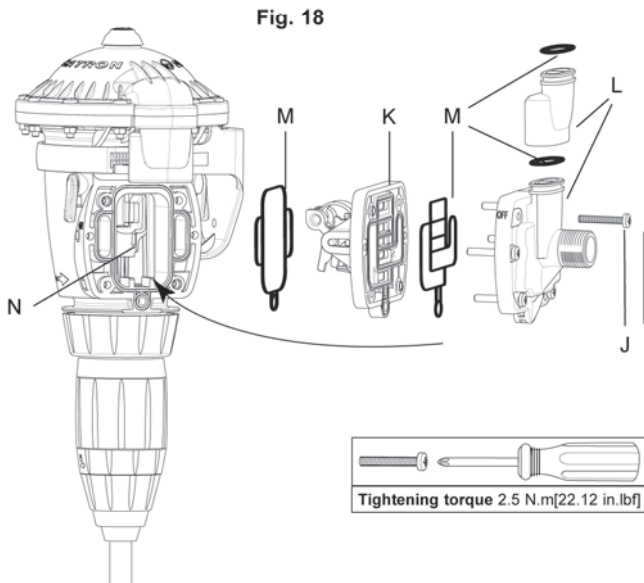


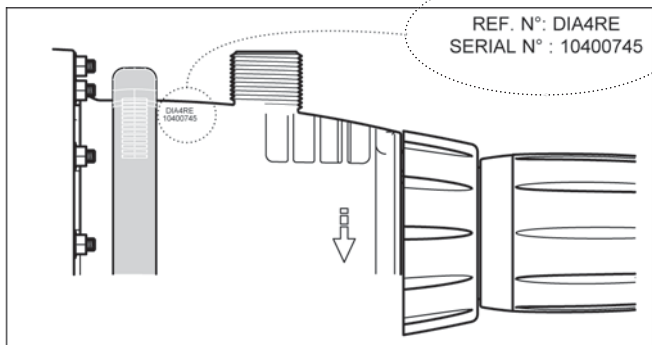
Fig. 17

CHANGING SEALS IN THE ACTUATOR ASSEMBLY

- Wear protective eyewear and gloves.
- Rinse the DOSATRON and the injection areas by injecting clean lukewarm water.
- Turn off the water supply and allow the pressure to drop to zero.
- Take the DOSATRON out of the installation.
- Unscrew the six screws (**Fig. 18-J**), dismantle the actuator assembly (**Fig. 18-K**) and transfer parts (**Fig. 18-L**).
- Change out the seals (**Fig. 18-M**).
- Reassemble in the inverse order by hand by respecting the upward position of the plunger piston and the actuator as shown (**Fig.18-N**).



Reference Designation



REF. :		Serial N° :				
EXAMPLE		DIA	4	RE/F	AF	II
Type of DOSATRON						
Dosage (% or ratio)						
RE : Adjustable F : Fixed						
Dosing seals : AF = PH 7-14 VF = PH 1-7 K = strong acids (>15%)						
Other extensions (consult us)						

Troubleshooting

SYMPTOM	CAUSE	SOLUTION
Motor		
DOSATRON does not start or stops.	Water not flowing in the right direction through the DOSATRON.	Install the unit the other way around.
	Unit is working, but at extreme low flow (at minimum flow 1 click every 3 minutes!).	Observe the unit for over 3 minutes. If it does not click after this space of time, check other "causes".
	Waterflow or -pressure do not meet or exceed the unit specifications.	Make certain your water installation meets the DOSATRON waterflow and pressure specifications.
	Unit is in bypass mode.	Switch « ON ».
	Motor stalled.	1 – Switch « ON » and « OFF » several times, then switch « ON ». 2 – Return unit to your service center for repair.
	Air has not been bled from unit.	Bleed air from unit, by bleed button.
	Maximum flow exceeded.	Reduce flow, restart unit.
	Wear : Worn actuator blade spring.	Change the actuator assembly (PJD1125).
The DOSATRON does not more start at low flow.	Wear : The isolation body and its seal are worn or dirty.	Clean or replace them (also clean or replace all injection seals).

SYMPTOM	CAUSE	SOLUTION
Injection		
Water flowing back into concentrate container.	Contaminated, worn, or missing check valve parts.	Clean or replace it. Check it has been properly reassembled.
No suction of concentrate.	The motor has stopped.	See motor section .
	Air leak (inlet) in the suction tube.	Check the tightness between nut and suction hose.
	Blocked suction tube or clogged strainer.	Clean or replace them.
	Missing or worn suction check valve o-ring.	Clean or replace it.
	Missing or worn plunger seal.	Clean or replace it.
	Worn injection stem.	Replace it.
Under dosing.	Suction of air.	1. Check the tightness of the nuts in the injection area. 2. Check suction tube.
	Dirty or worn check valve seal.	Clean or replace it.
	Maximum flow exceeded (cavitation).	Reduce flow.
	Worn plunger seal.	Replace it.
	Worn injection stem.	Replace it.
Overdosing.	Siphoning.	Check your installation. Amend it and install the necessary anti-siphoning devices.

SYMPTOM	CAUSE	SOLUTION
Leaks		
From the top cap, actuator assembly or transfer parts.	Screws untightened.	Rescrew the screws. It is not recommended to open the top cap.
	Dirty, not fitting or missing seals.	Clean or replace the seals.
From the by-pass.	Dirty, worn or missing seals.	Clean or replace the seals.
From the injection part.	Dirty, worn or missing seals.	Clean or replace the seals.

THE MANUFACTURER DECLINES ALL RESPONSIBILITY IF THE DOSATRON IS USED IN CONDITIONS THAT DO NOT CORRESPOND TO THE OPERATING INSTRUCTIONS.

Limited warranty

DOSATRON INTERNATIONAL S.A.S. will provide for replacement of all parts shown to be defective in material or workmanship during a period of twelve months from the date of purchase by the original purchaser.

To obtain warranty replacement of a part, the DOSATRON must be returned with original proof of purchase receipt to the manufacturer or authorized distributor and thereafter recognized as defective after examination by the technical services of the manufacturer or distributor.

The DOSATRON must be flushed of any chemical and sent to the manufacturer or distributor prepaid, but will be returned free of charge once repairs are made if found to be covered by the warranty. Any repairs made under warranty will not extend the initial warranty period.

This warranty only covers circumstances where the part has failed due to defects caused by the manufacturing process.

This warranty is invalid if the defects are found to be due to the product's misuse : Inappropriate use of tools, lack of maintenance or defective installation or environmental accidents or corrosion by foreign bodies and liquids found within or in proximity to the DOSATRON. Before using any aggressive chemicals, please consult your distributor to confirm compatibility with the dosing pump.

The seals and "o-rings" are not covered under warranty, nor is damage to the DOSATRON caused by water impurities such as sand.

A filter (ex.: 300 mesh - 60 microns depending on your water quality) must be used in front of the DOSATRON for the warranty to be valid.

This warranty gives you specific legal rights and you may also have other rights which vary from state to state. But any implied warranty or merchantability or fitness for a particular purpose applicable to this product is limited in duration to the time period of this written warranty or any implied warranty.

There is no warranty express or implied relating in any way to products used in conjunction with DOSATRON INTERNATIONAL S.A.S. products.

The manufacturer or authorized distributor shall not be liable for incidental or consequential damage, such as any economic loss, resulting from breach of this written warranty or any implied warranty.

There are no warranties, express or implied, which extend beyond those described above.

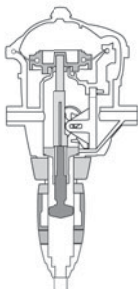
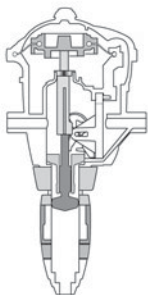
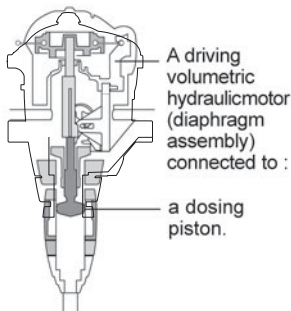
"DOSATRON INTERNATIONAL S.A.S. disclaims all responsibility if the Dosatron is used in conditions that do not correspond to the operating instructions as indicated in this manual."

KNOW YOUR FLOW

A SIMPLE METHOD

THE DOSATRON IS COMPOSED OF :

In its up and down movement, you can hear the motor assembly click :



2 clicks = 1 motor cycle
= The stroke volume.

Once in the up position.

Once in the down position.

The speed of the motor is proportional to the flow of water passing through the system.

- Calculation of water flow in L/H =

$$\frac{\text{Number of clicks in 15 seconds}}{2} \times 4 \times 60 \times 0.47$$

Calculation for 1 minute. Calculation for 1 hour. Stroke volume in Litres.

② — 2 clicks = 1 cycle.

- Calculation of water flow in GPM =

$$\frac{\text{Number of clicks in 15 seconds}}{2} \times 4 \times 0.47 \div 3.8$$

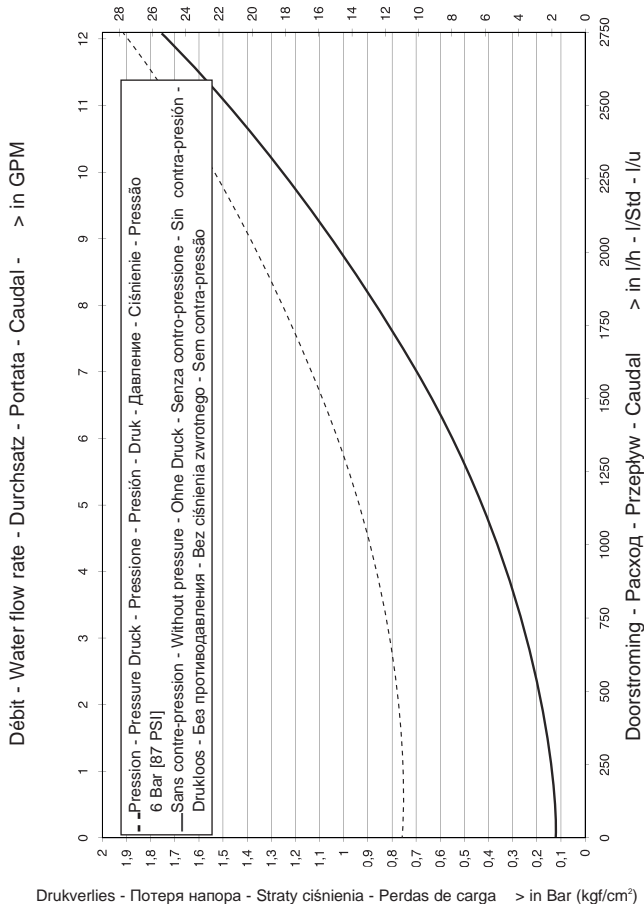
Calculation for 1 minute. Stroke volume in Litres. Conversion from litres to gallons.

② — 2 clicks = 1 cycle.

NOTA : This method of calculation cannot replace a flow meter.
It is given only as an approximative guide.

Pertes de charge	
Pressure loss	
Druckverlust	
Perdite di carico	
Perdidas de carga	
Drukverlies	
Потеря напора	
Straty ciśnienia	
Perdas de carga	32

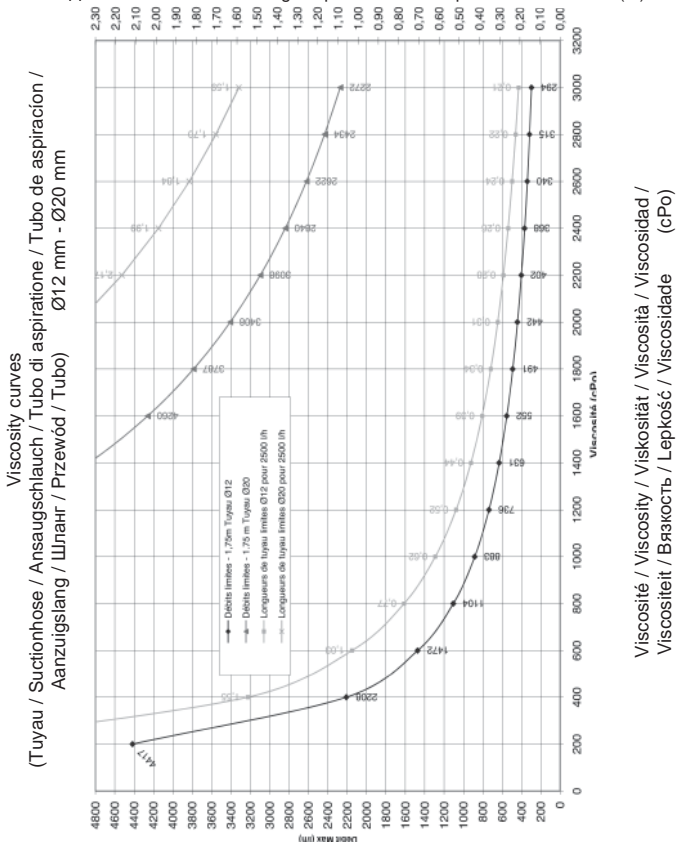
Pertes de charges - Pressure loss - Druckverlust - Perdite di carico - Perdidas de carga - > in PSI



Limite viscosité	
Viscosity curves	
Grenzwerte dickflüssige Konzentrate	
Curve di Viscosità	
Curvas de Viscosidad	
Grenswaarden viskeuze Concentraten	
ЛИМИТ ВЯЗКОСТИ	
Granica lepkości	
Limite de viscosidade	34

DIA4RE

Max. Longueur tuyau / Suctionhose length / Ansaugschlauchlänge / Lunghezza tubo di aspirazione / Longitud tubo de aspiración / lengte aanzuigslang /
 Макс. Длина шланга / Maks. długość przewodu / Comp. Max do tubo > (m)



Max. Débit / Operating Waterflow / Betriebswasserdurchsatz / Portata d'acqua di funzionamento / Caudal de agua de funcionamiento / Waterdoorstroming /
 Макс Расход / Maks. przepływ / Caudal máximo > l/h - l/Std- l/uur

Ce document ne constitue pas un engagement contractuel et n'est fourni qu'à titre indicatif. La Société DOSATRON INTERNATIONAL se réserve le droit de modifier ses appareils à tout moment.

This document does not form a contractual engagement on the part of DOSATRON INTERNATIONAL and is for information only. The company DOSATRON INTERNATIONAL reserves the right to alter product specification or appearance without prior notice.

Dieses Dokument ist kein bindender Vertragsbestandteil und dient nur zu Informationszwecken. Das Unternehmen DOSATRON INTERNATIONAL behält sich das Recht vor, seine Geräte jederzeit zu verändern.

Questo documento non costituisce un documento contrattuale e viene fornito soltanto a titolo indicativo. La società DOSATRON INTERNATIONAL si riserva il diritto di modificare i propri apparecchi in qualsiasi momento.

Este documento no constituye un compromiso contractual y se suministra solamente a título orientativo. La sociedad DOSATRON INTERNATIONAL se reserva el derecho de modificar sus aparatos en cualquier momento.

Dit document vormt geen contractuele verbintenis en wordt enkel ter informatie gegeven. DOSATRON INTERNATIONAL behoudt zich het recht voor zijn toestellen op elk ogenblik zonder voorafgaande informatie te wijzigen.

Данный документ не является договорным обязательством и поставляется исключительно в порядке информации. DOSATRON INTERNATIONAL оставляет за собой право модифицировать свои изделия в любое время.

Niniejszy dokument nie stanowi zobowiązania umownego. Informacje w nim zawarte mają wyłącznie charakter orientacyjny. Spółka DOSATRON INTERNATIONAL zastrzega sobie prawo wprowadzenia zmian do swoich urządzeń w każdej chwili.

Este documento não constitui um compromisso contratual e é apenas fornecido a título indicativo. Sociedade DOSATRON INTERNACIONAL reserva-se o direito de modificar os seus aparelhos em qualquer momento.

CE Conformity Statement

Document N° DOCE06050103

This Dosatron is in compliance with the European Directive 2006/42/CE. This declaration is only valid for countries of the European Community (CE).



DOSATRON®

WATER POWERED DOSING TECHNOLOGY



FABRIQUÉ PAR
MANUFACTURED BY
HERGESTELLT VON
FABBRICATO DA
FABRICADO POR
GEPRODUCEERD DOOR
ПРОИЗВЕДЕНО
PRODUKCJA
FABRICADO POR

DOSATRON INTERNATIONAL S.A.S.

Rue Pascal - B.P. 6 - 33370 TRESSES (BORDEAUX) - FRANCE
Tel. 33 (0)5 57 97 11 11
Fax. 33 (0)5 57 97 11 29 / 33 (0)5 57 97 10 85
e.mail : info@dosatron.com - <http://www.dosatron.com>
© DOSATRON INTERNATIONAL S.A.S 2011