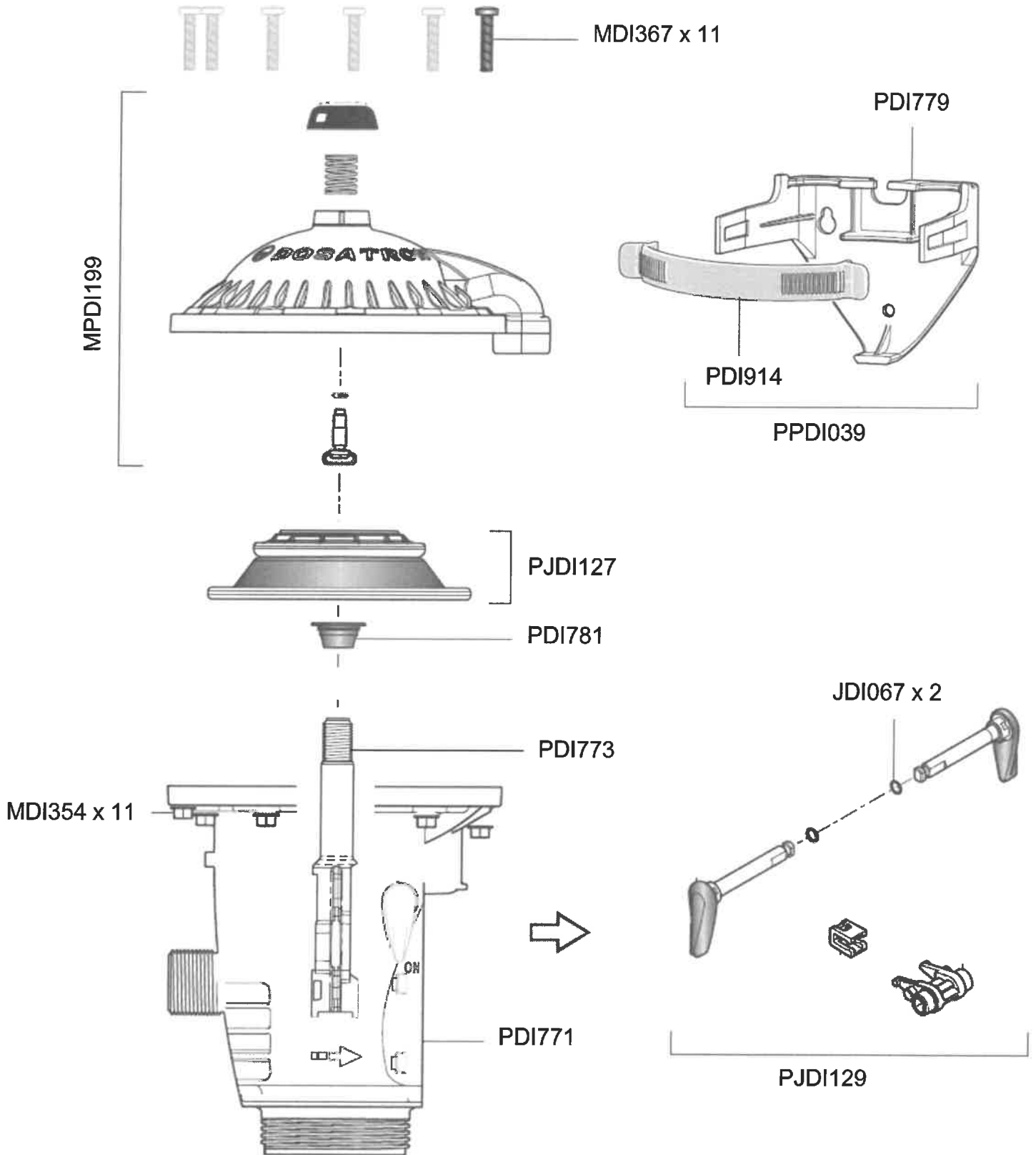


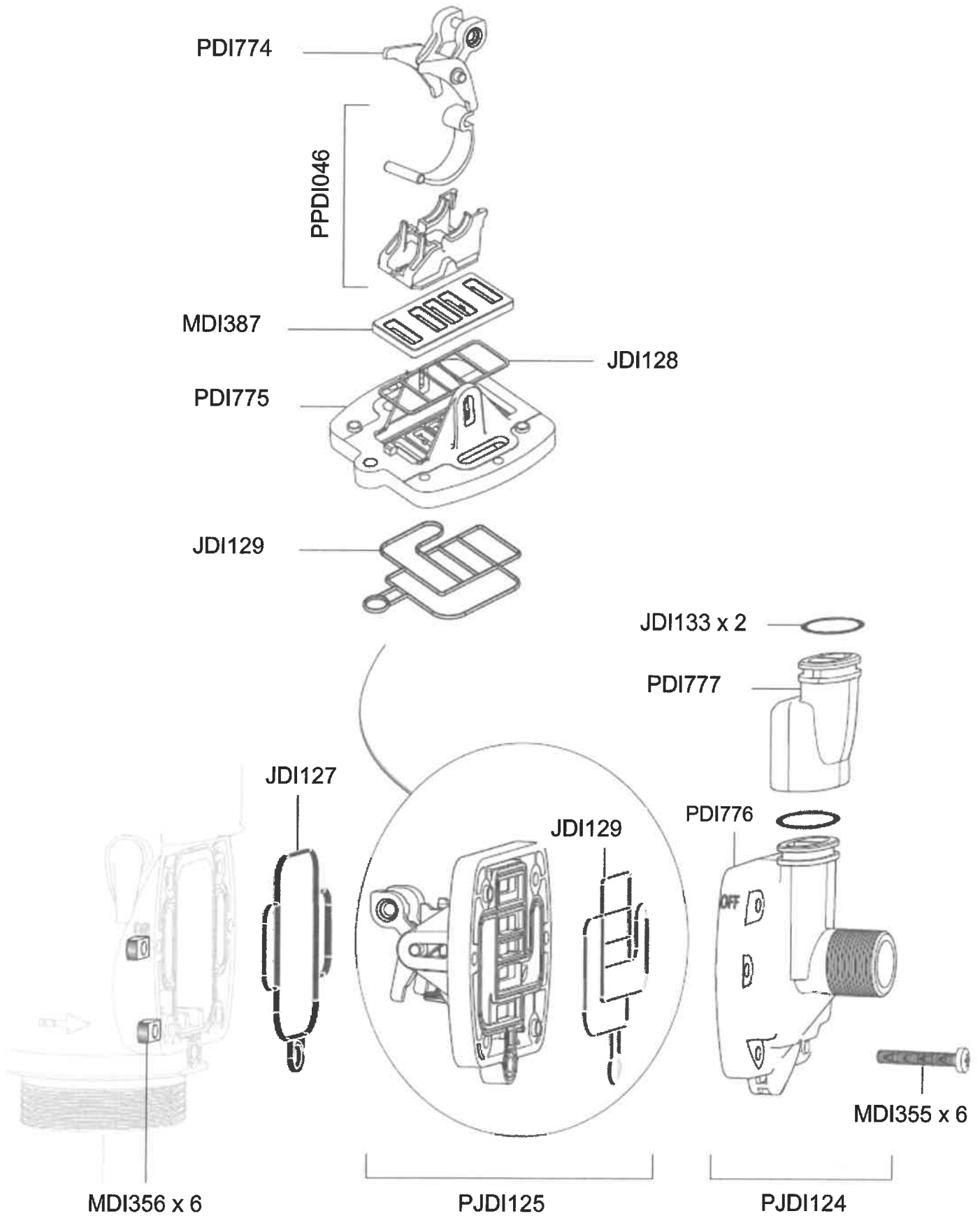
DOSATRON DIA4RE/DIA4AL

2.5m³/h – 1 – 4%
0.15 – 4 bar



DOSATRON DIA4RE/DIA4AL

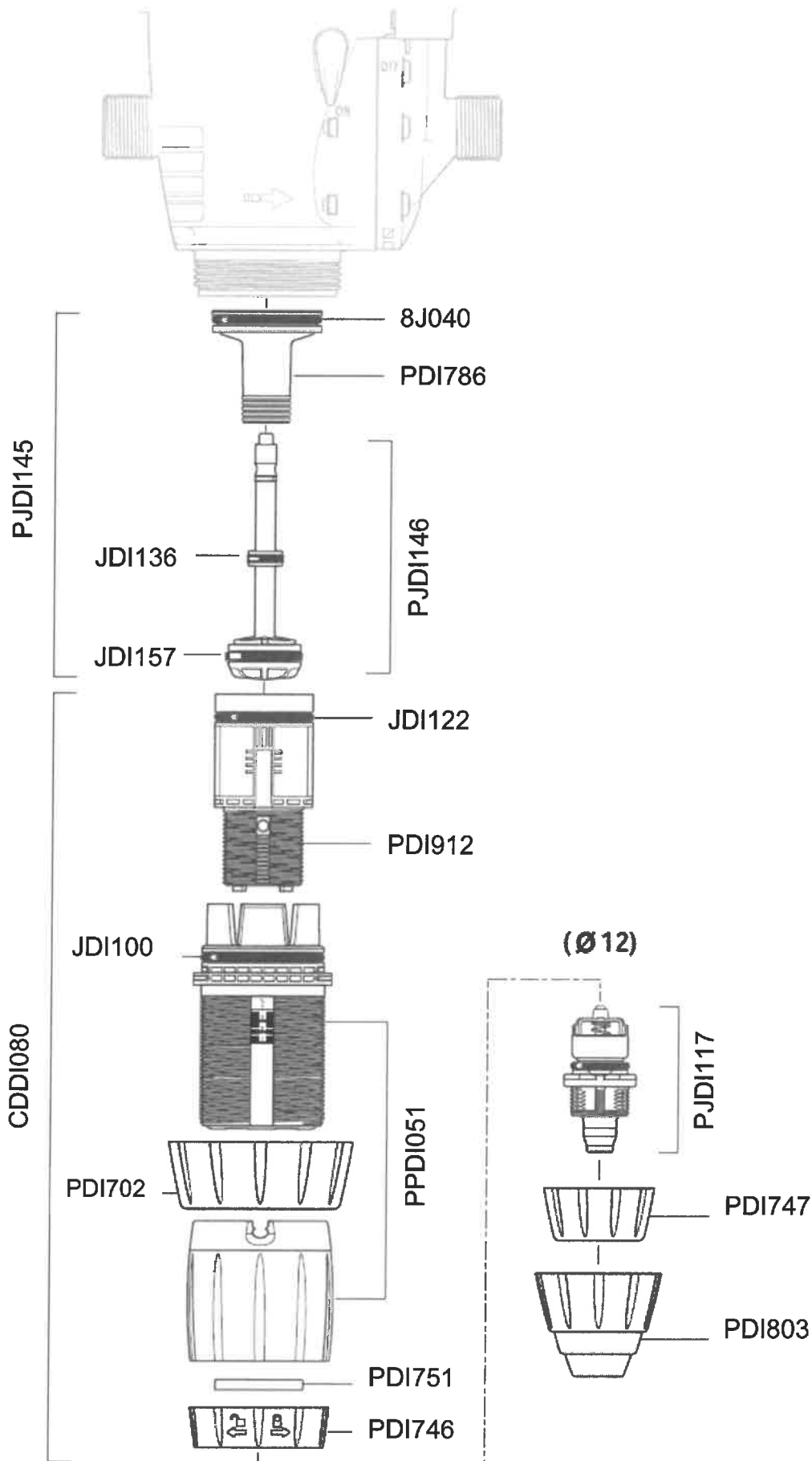
2.5m³/h – 1 – 4%
0.15 – 4 bar



EMDI007 - Seal Set inc - (JDI127, JDI129, JDI133 x 2)

DOSATRON DIA4RE/DIA4AL

2.5m³/h – 1 – 4%
0.15 – 4 bar



PJD1147 – Seal Set, Non Return Valve and Barbed Fitting:-
(8J040, PDI786, JDI136, JDI157, JDI122, JDI100, PJD1117)

DOSATRON DIA4RE/DIA4AL

2.5m³/h – 1 – 4%
0.15 – 4 bar

