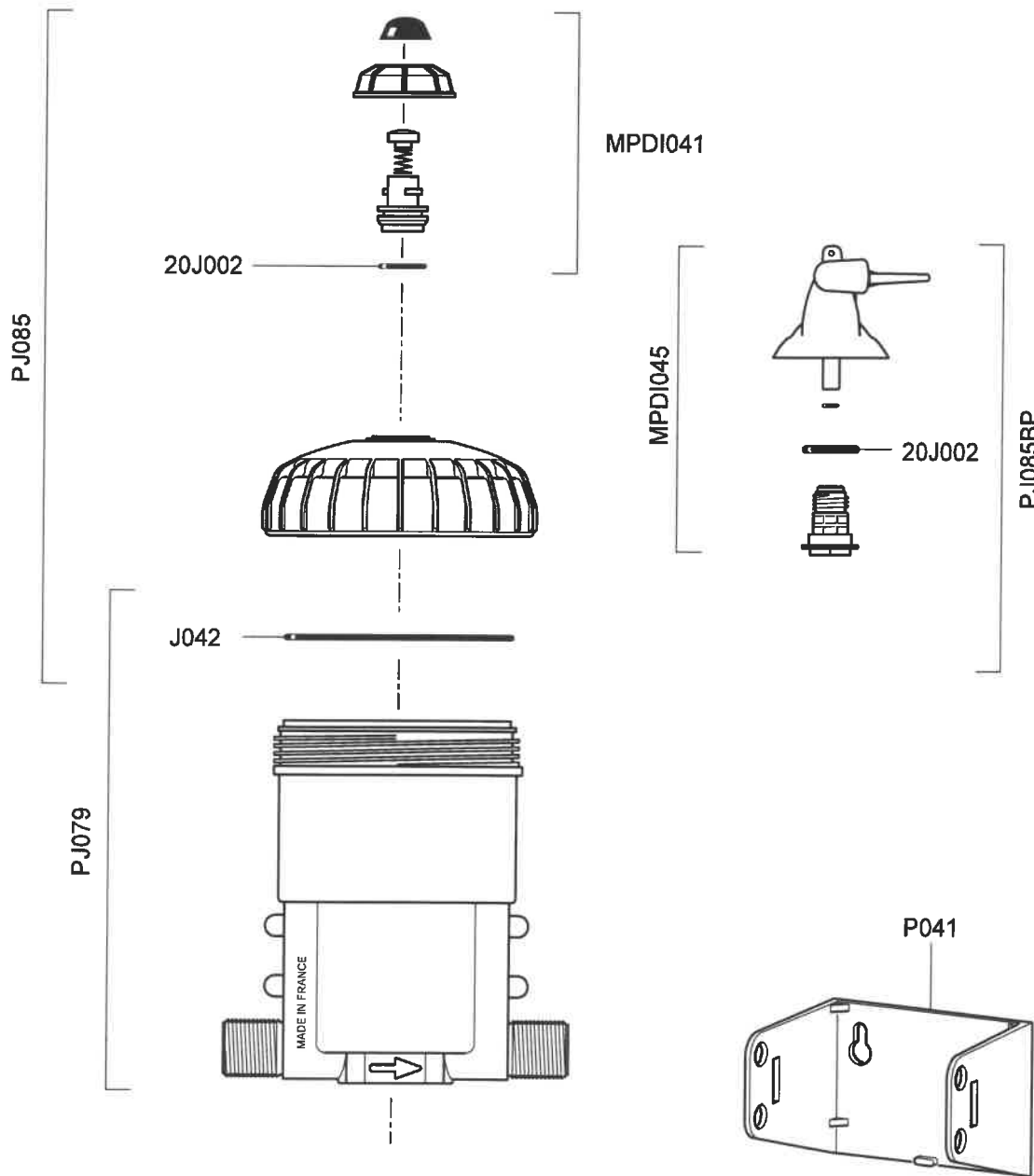


# DOSATRON D25RE5

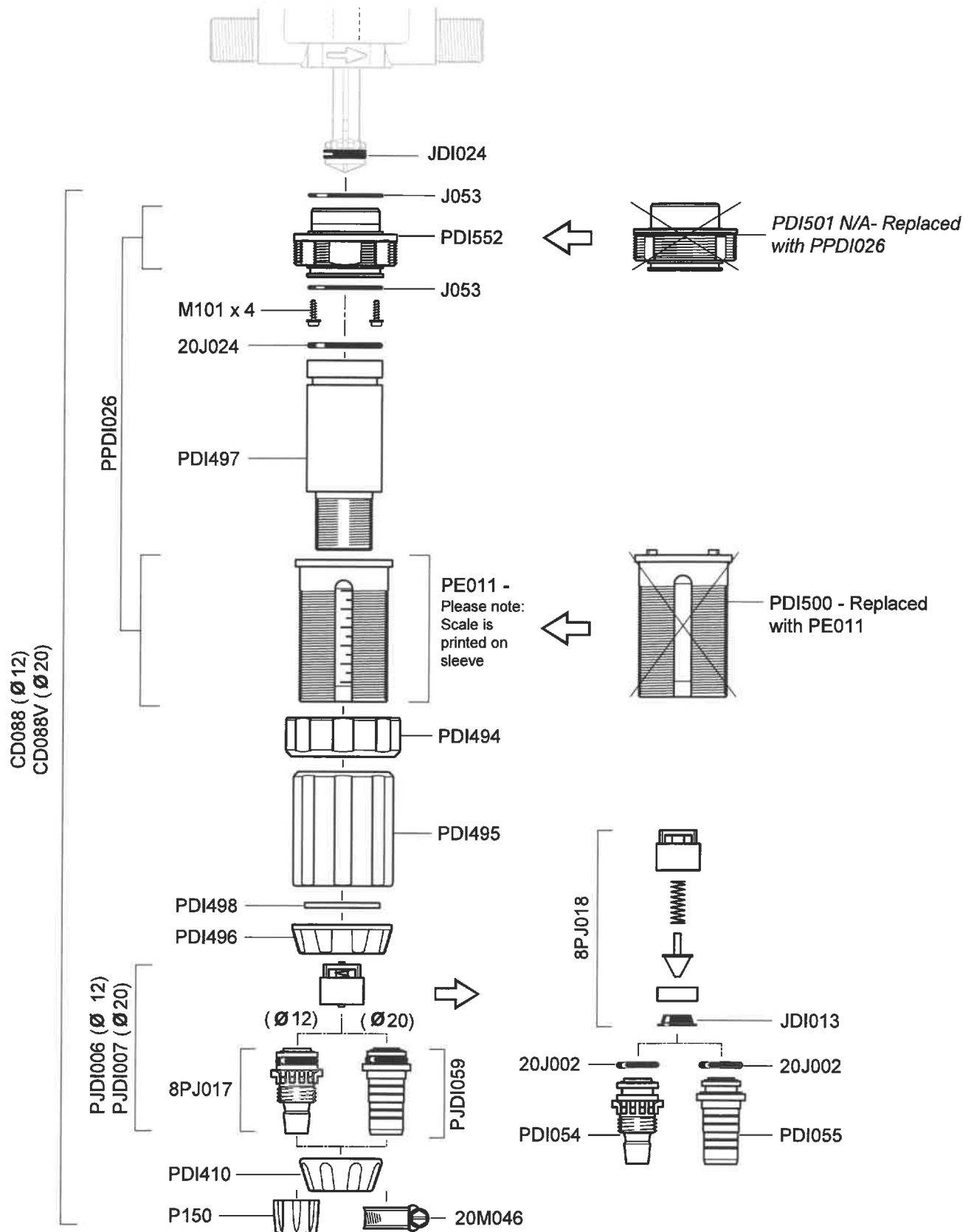
2.5m<sup>3</sup>/h - 1 - 5%  
0.3 - 6 Bar



PVDF - PJ079P - Lower Body PVDF and Seal  
PJ085P - Top Cap PVDF, Air Bleed and Seal  
PJ085BPP - Top Cap PVDF, By Pass and Seal

# DOSATRON D25RE5

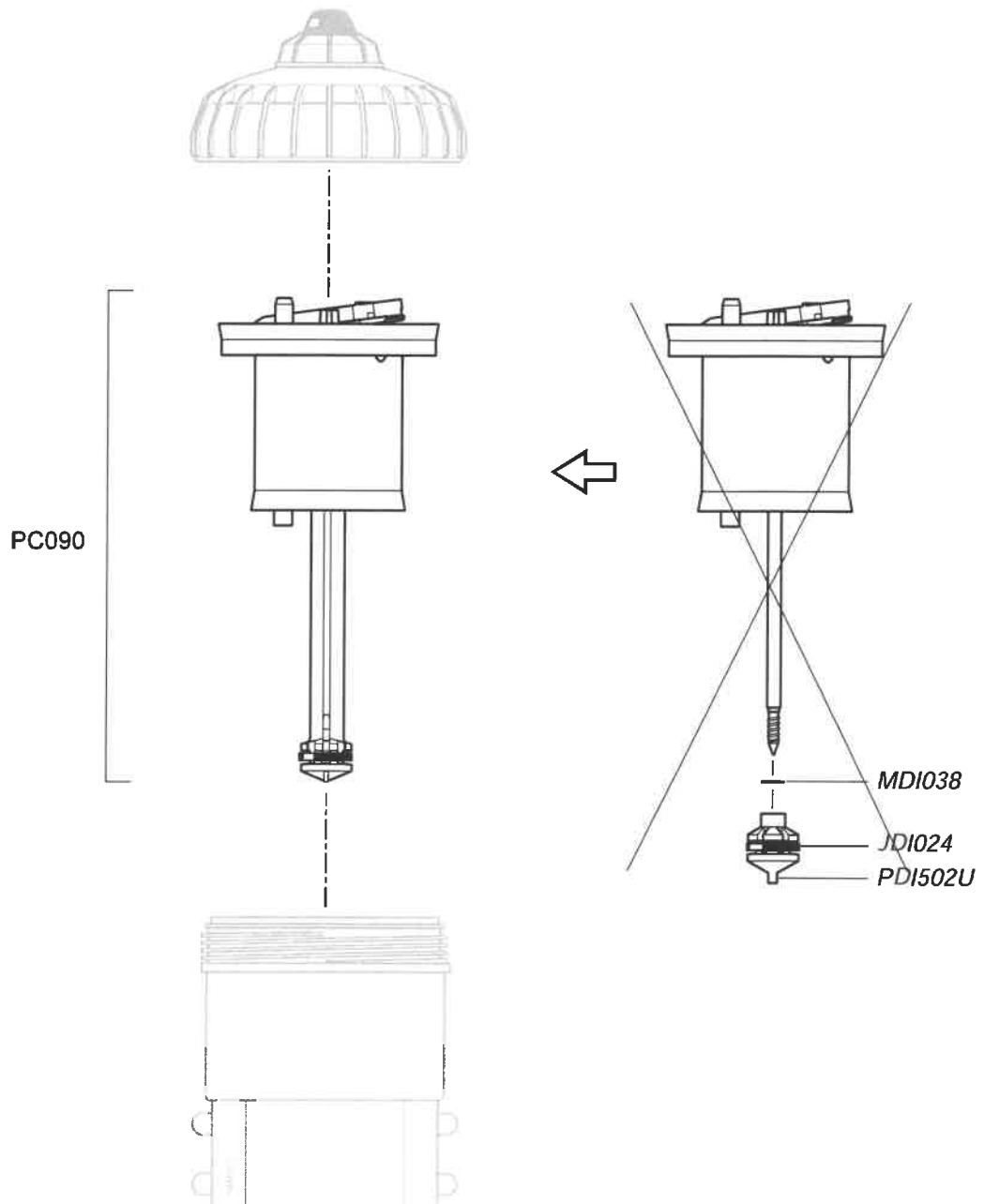
2.5m<sup>3</sup>/h - 1 - 5%  
0.3 - 6 Bar



- PJ119 - Seal Set, Non Return Valve and Barbed Fitting (Ø 12)  
(JDI024, J053x2, 20J024, 20J002, 8PJ018, PDI054)
- PJ119 - Seal Set, Non Return Valve and Barbed Fitting (Ø 20)  
(JDI024, J053x2, 20J024, 20J002, 8PJ018, PDI055)

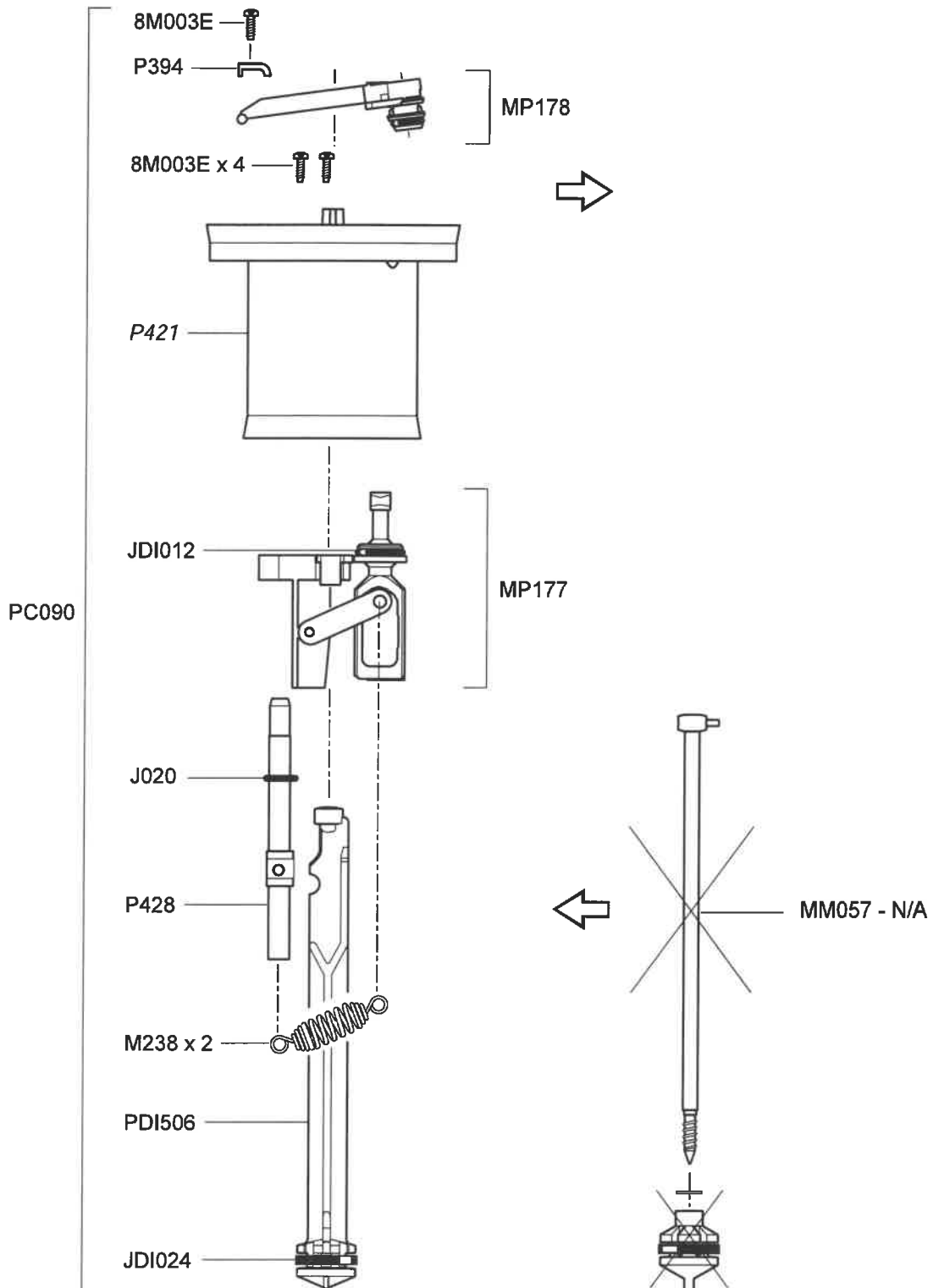
# DOSATRON D25RE5

2.5m<sup>3</sup>/h - 1 - 5%  
0.3 - 6 Bar



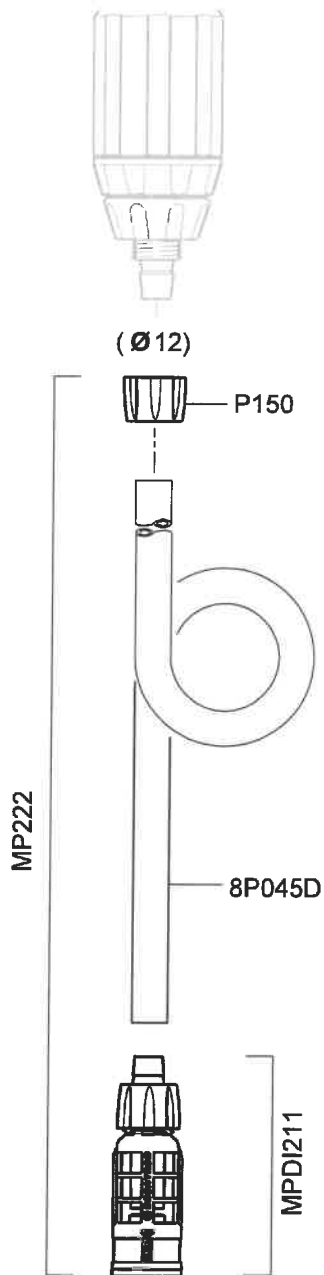
# DOSATRON D25RE5

2.5m<sup>3</sup>/h - 1 - 5%  
0.3 - 6 Bar



# DOSATRON D25RE5

2.5m<sup>3</sup>/h - 1 - 5%  
0.3 - 6 Bar



## Option "V"

