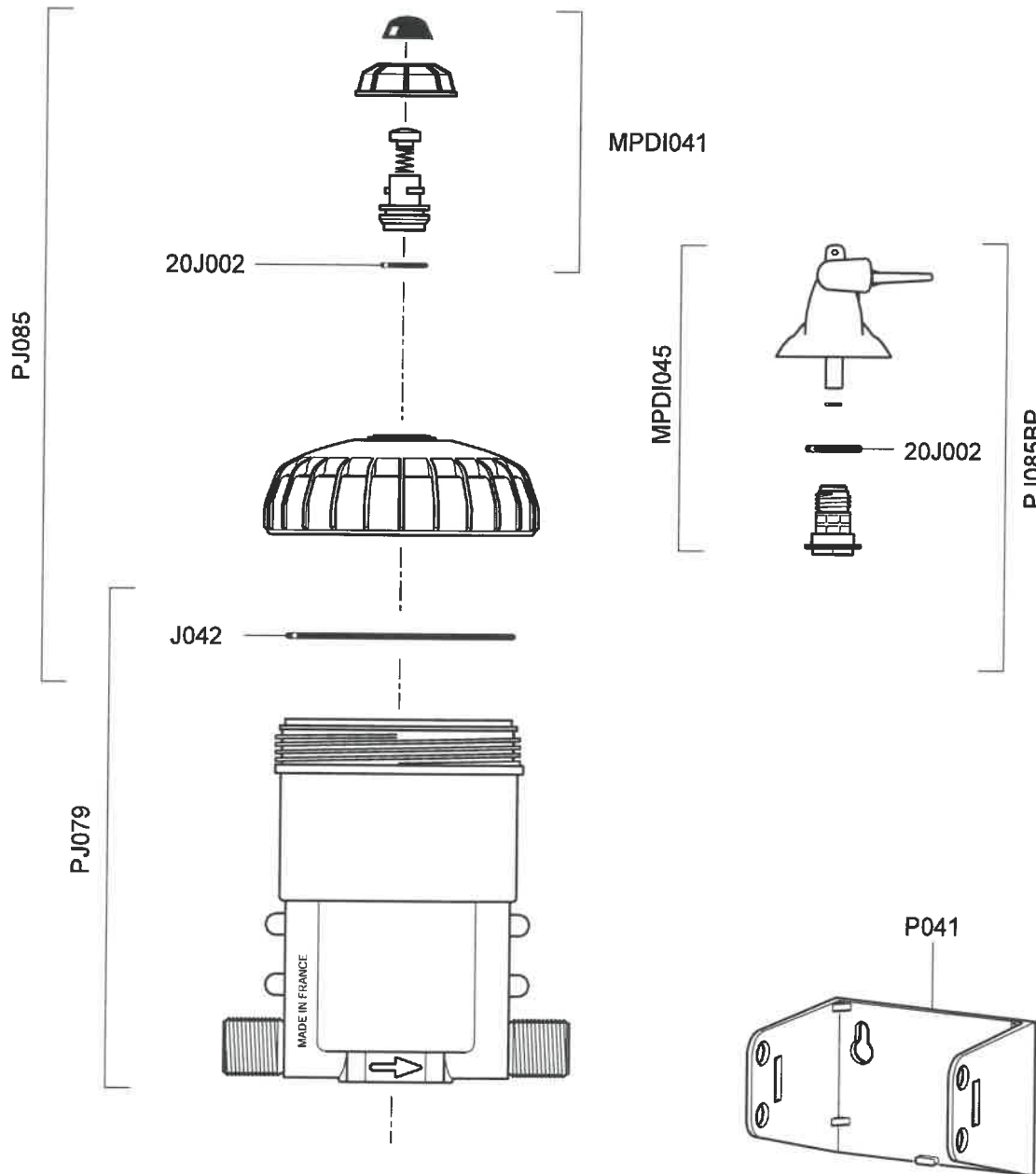


# DOSATRON D25RE10

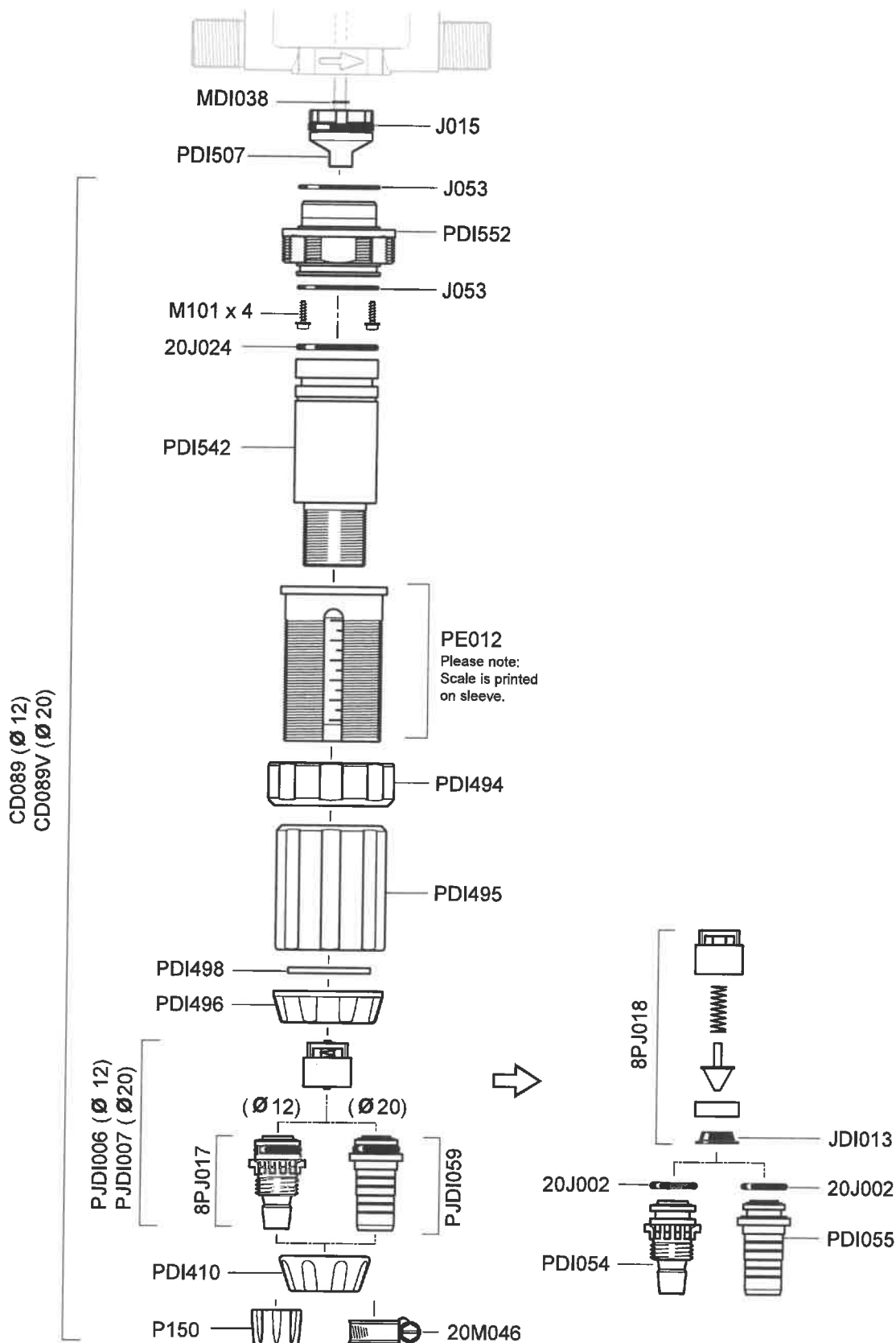
2m<sup>3</sup>/h - 3 - 10%  
0.3 - 4 Bar



PVDF - PJ079P - Lower Body PVDF and Seal  
PJ085P - Top Cap PVDF, Air Bleed and Seal  
PJ085BPP - Top Cap PVDF, By Pass and Seal

# DOSATRON D25RE10

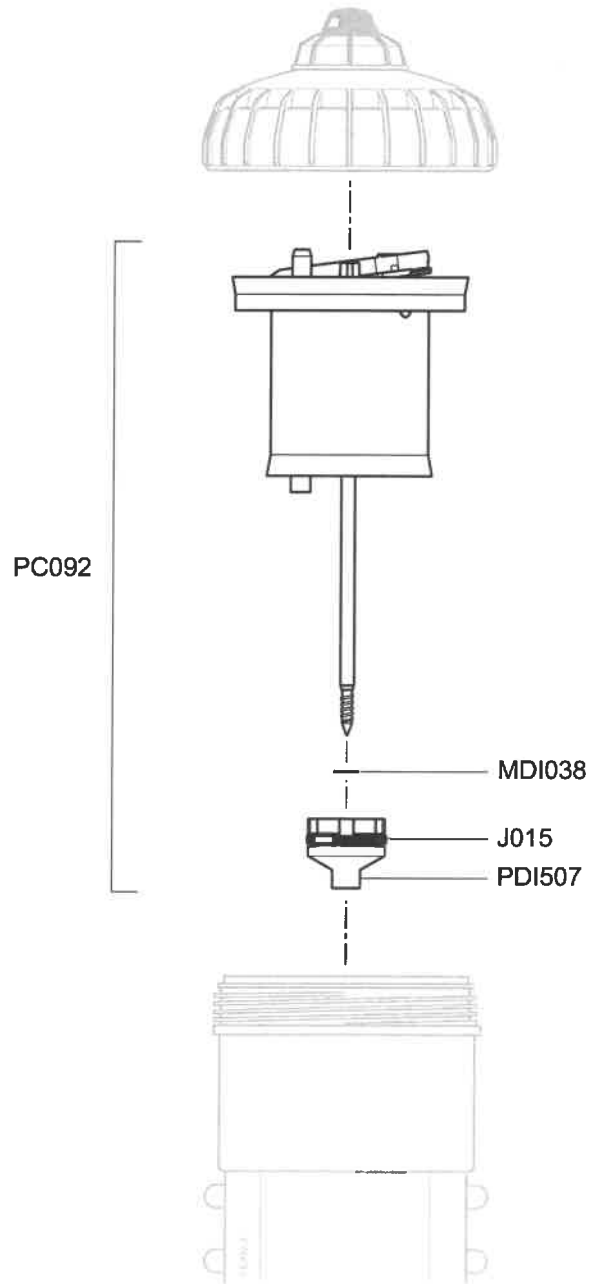
2m<sup>3</sup>/h - 3 - 10%  
0.3 - 4 Bar



- PJ120 - Seal Set, Non Return Valve and Barbed Fitting (Ø 12)  
(J015, J053x2, 20J024, PDI006)
- PJ120V - Seal Set, Non Return Valve and Barbed Fitting (Ø 20)  
(J015, J053x2, 20J024, PDI007)

# DOSATRON D25RE10

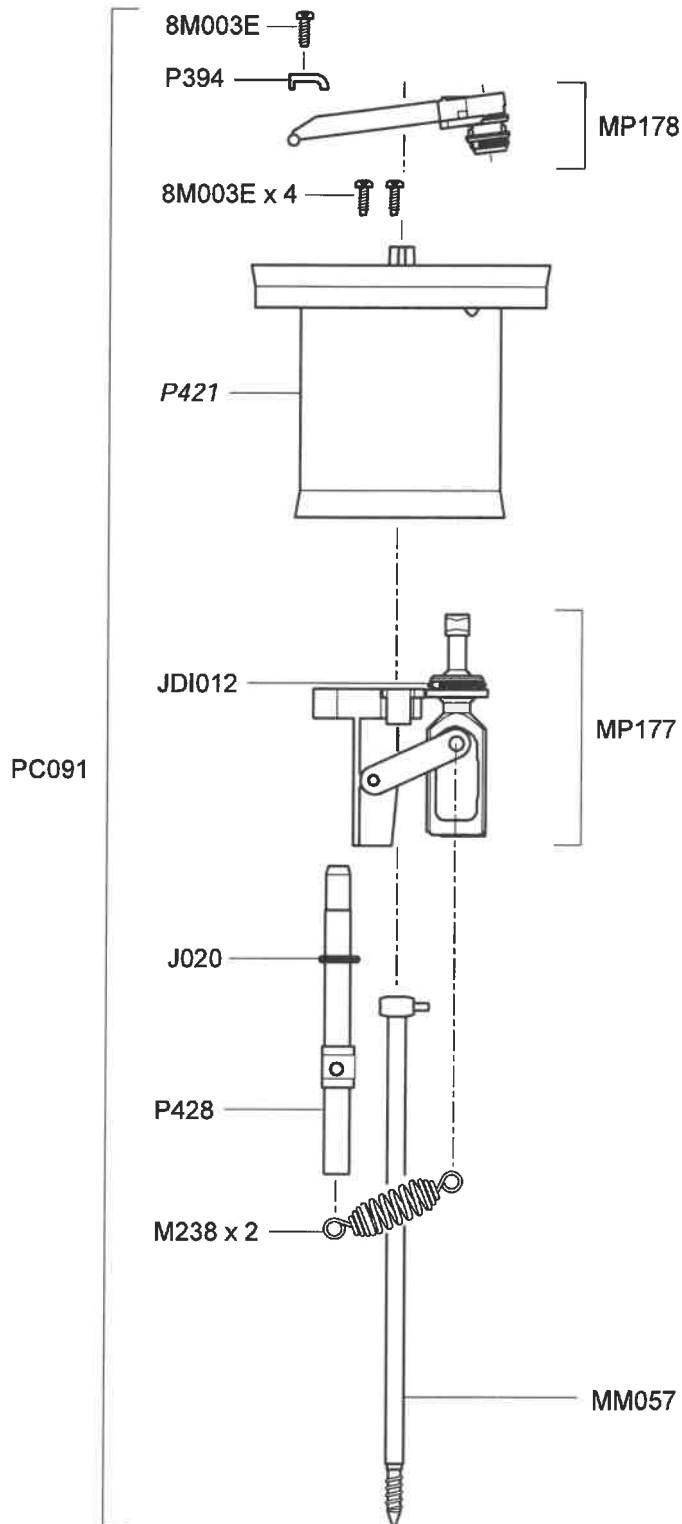
2m<sup>3</sup>/h - 3 - 10%  
0.3 - 4 Bar



# DOSATRON D25RE10

2m<sup>3</sup>/h - 3 - 10%

0.3 - 4 Bar



# DOSATRON D25RE10

2m<sup>3</sup>/h - 3 - 10%  
0.3 - 4 Bar

