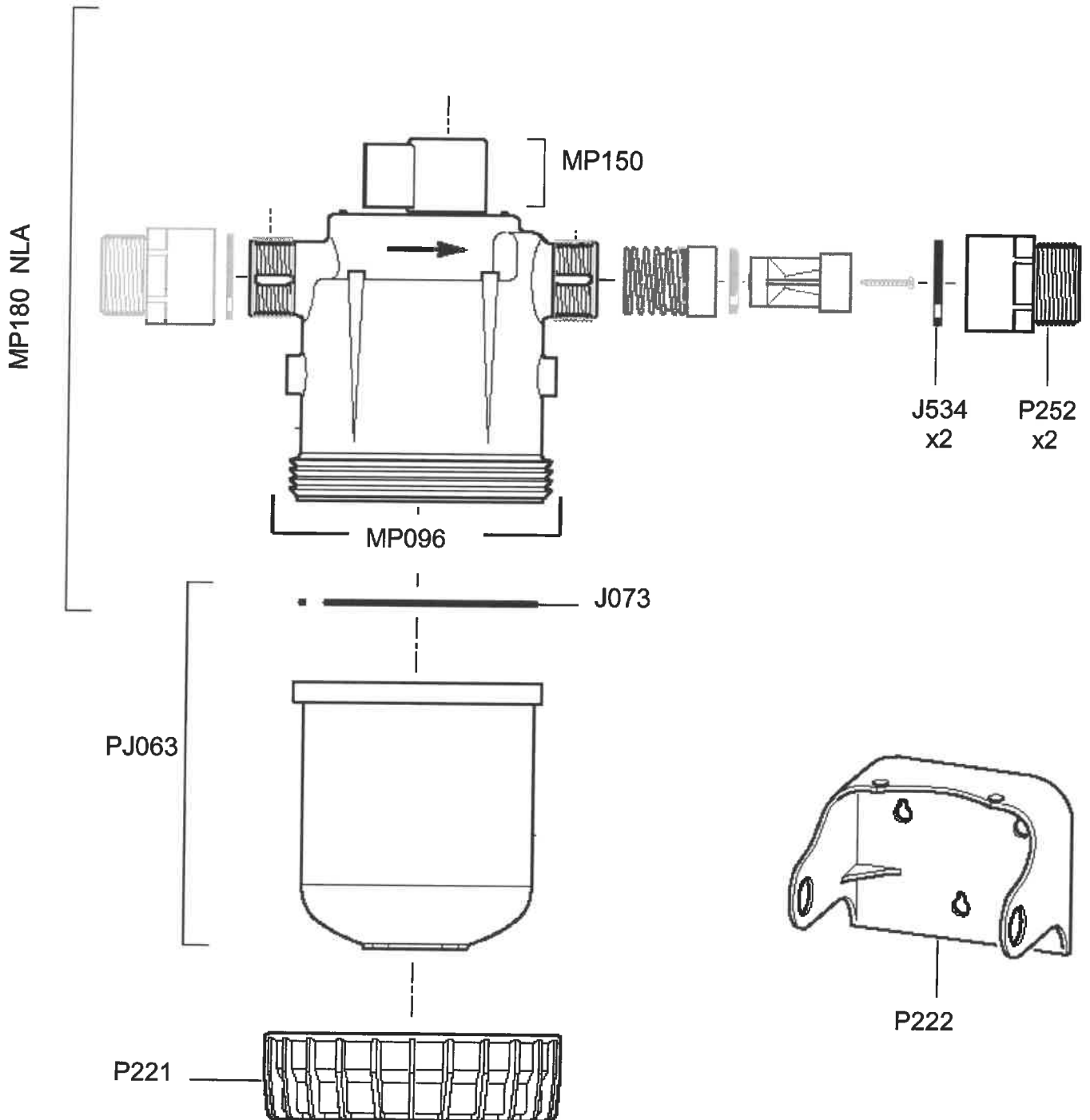


DOSATRON D45RE3

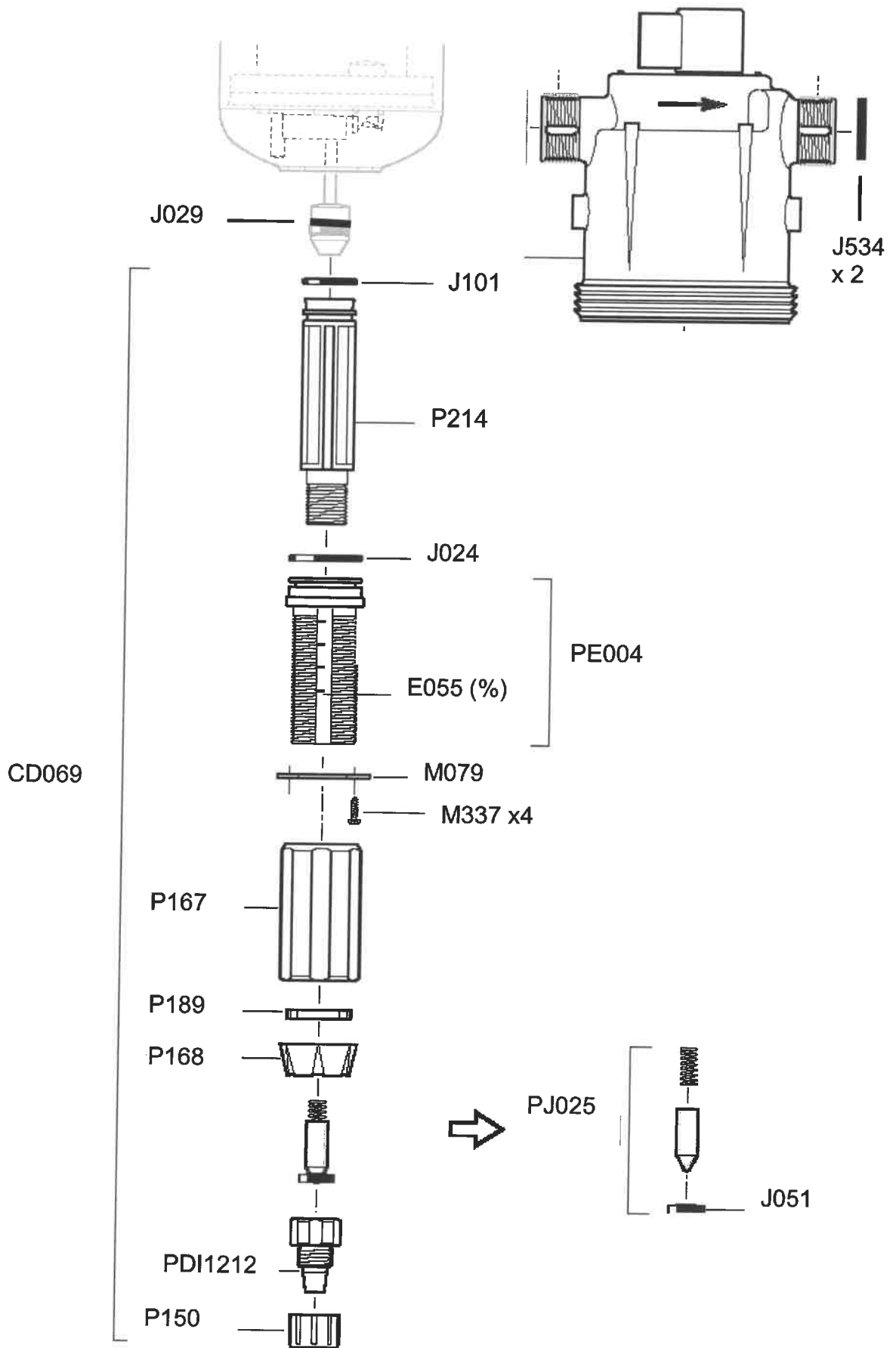
4.5m³/h – 0.5% - 3%
0.5 – 5 bar



PVDF - MP096P - Upper Body Assembly PVDF Including MP150
PJ063P - Lower Body PVDF and Seal
P221P - Body Connection Nut PVDF

DOSATRON D45RE3

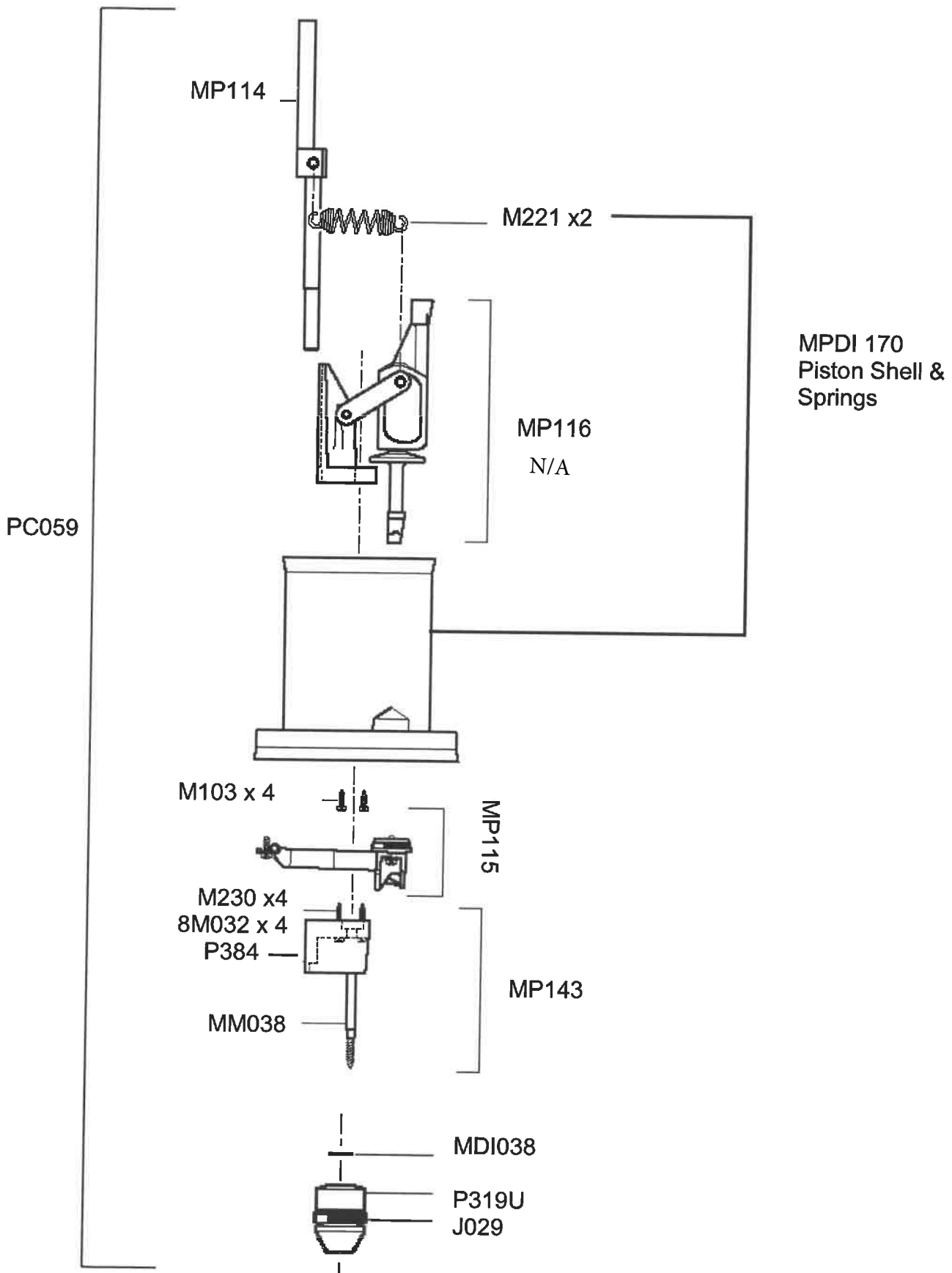
4.5m³/h – 0.5% - 3%
0.5 – 5 bar



PJ084 – Seal Set, Non Return Valve and Barbed Fitting
(J534 x2, J029, J101, J024, PJ025, PDI1212)

DOSATRON D45RE3

4.5m³/h – 0.5% - 3%
0.5 – 5 bar



DOSATRON D45RE3

4.5m³/h – 0.5% - 3%
0.5 – 5 bar

