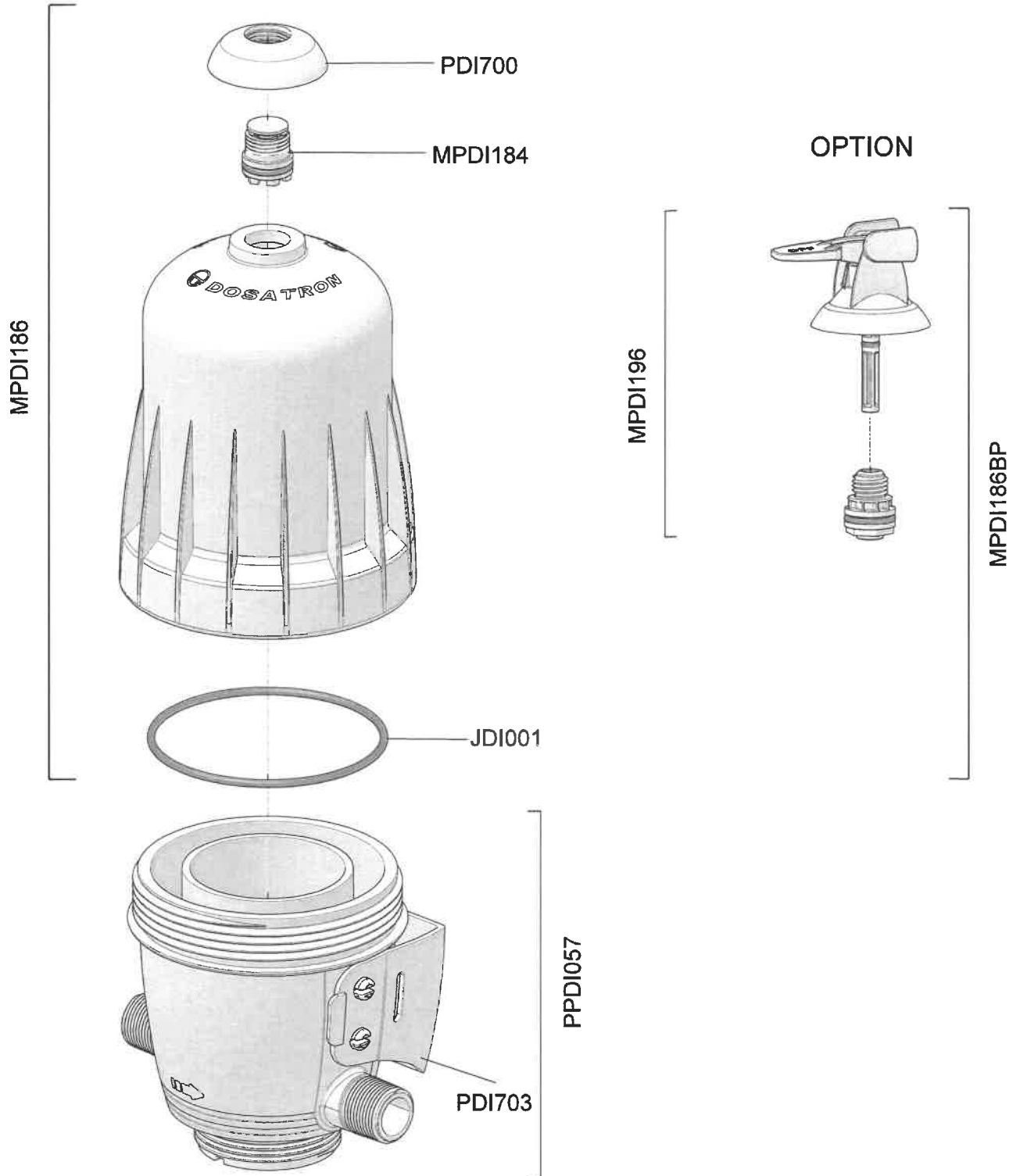
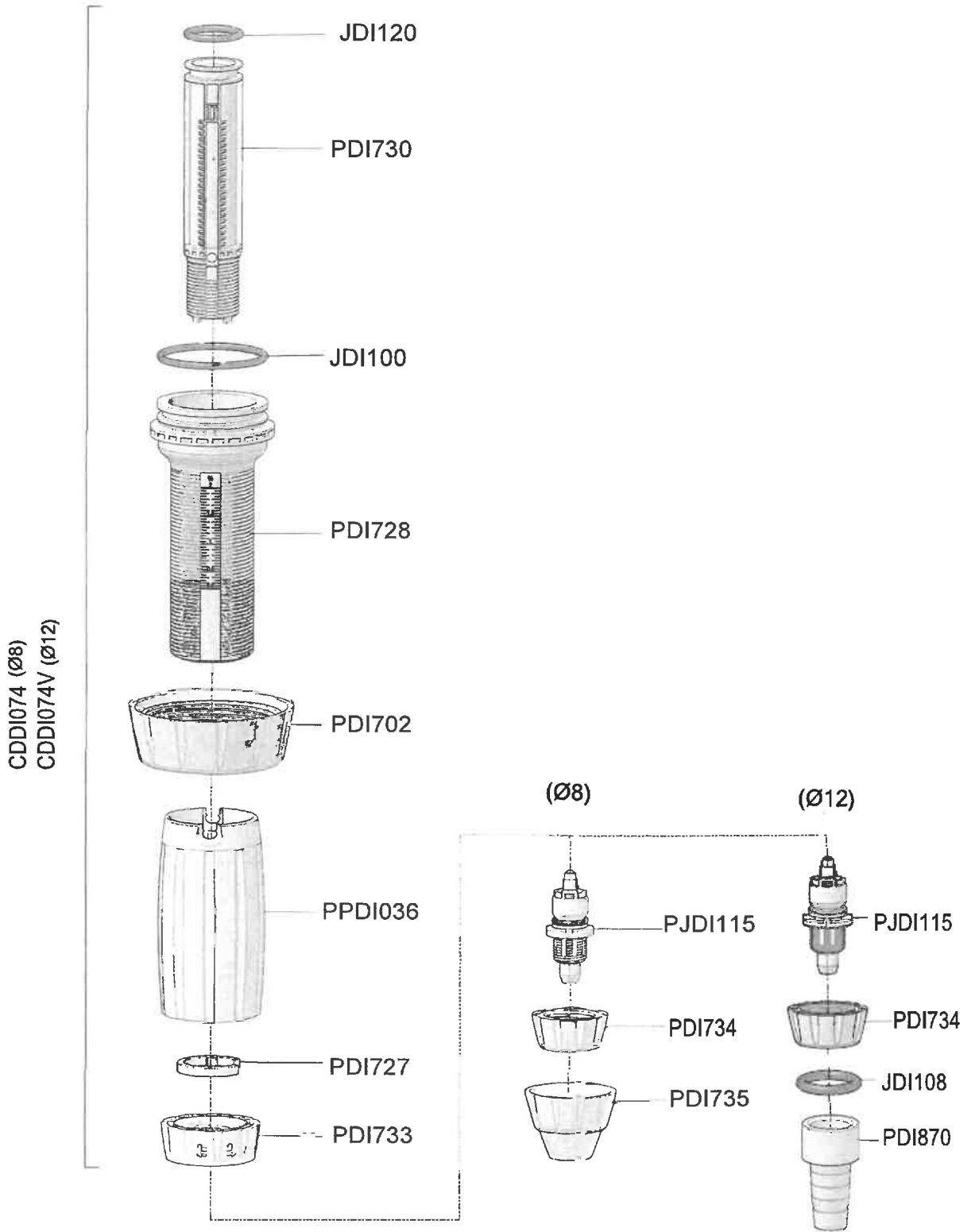


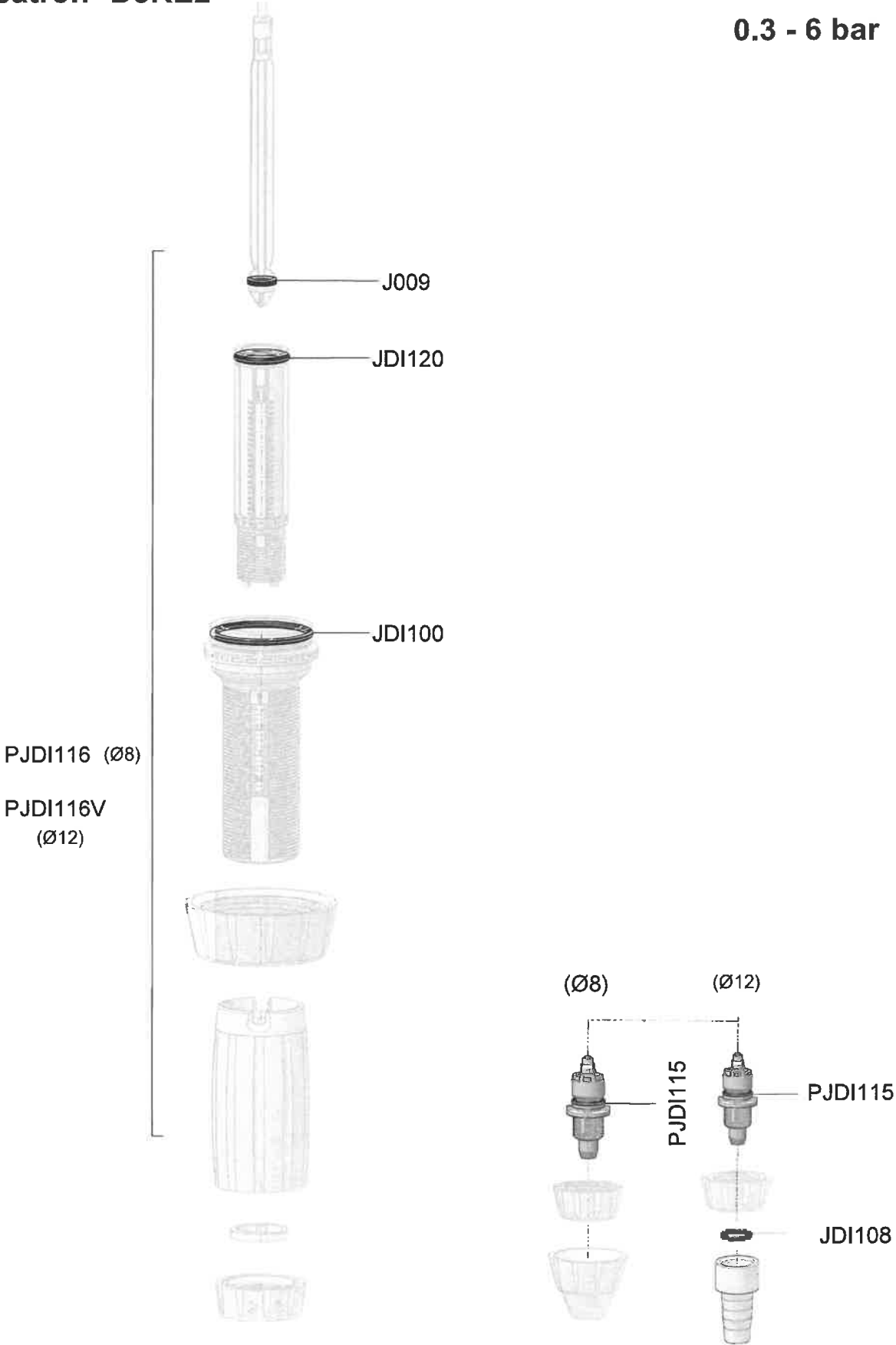
# Dosatron D3RE2

3m<sup>3</sup>/h - 0.2 - 2%  
0.3 - 6 bar



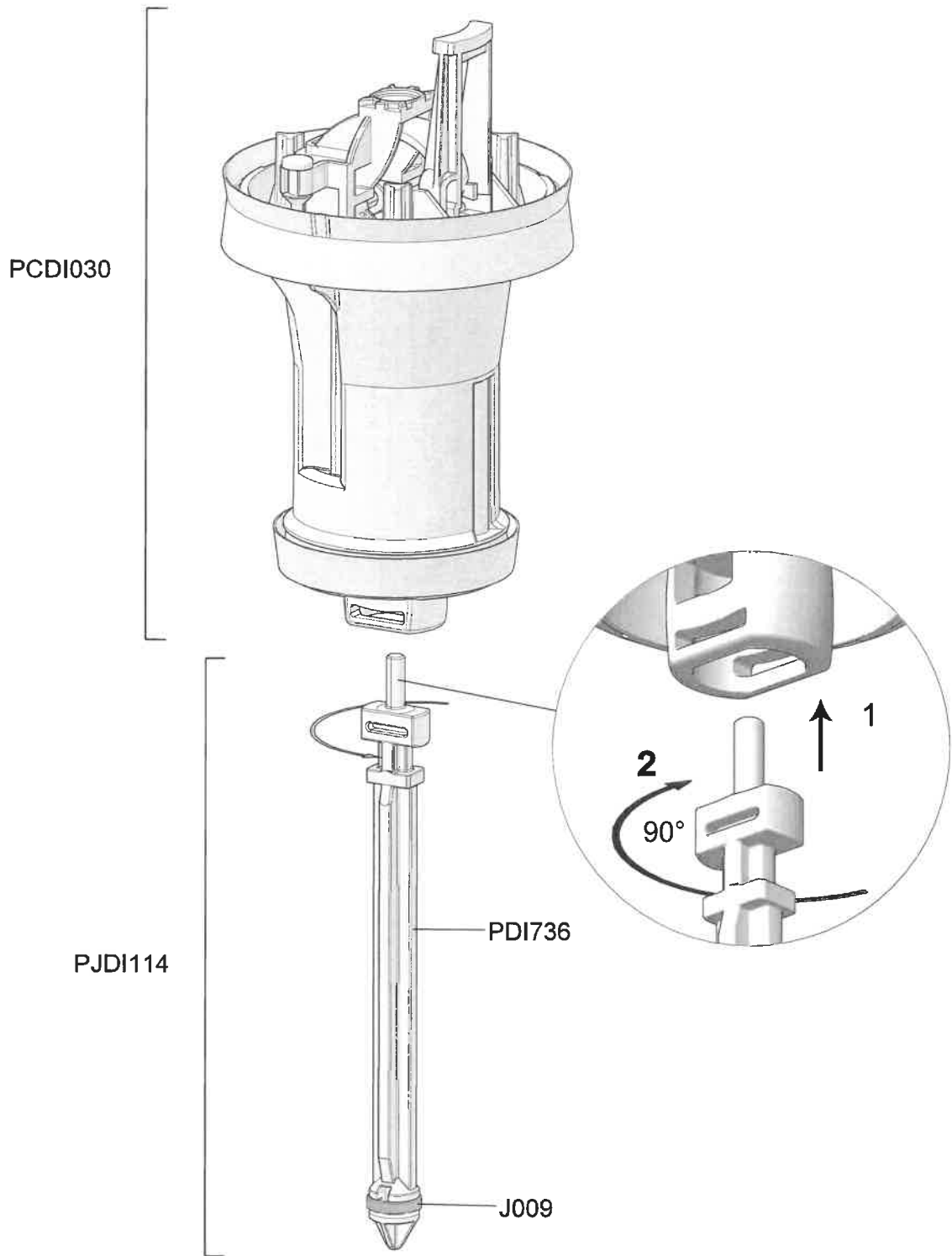
PVDF - MPDI186P - Bell Housing Assembly PVDF  
MPDI186BPP - Bell Housing Assembly PVDF and By Pass  
PPDI057P - D3 Lower Body PVDF and Wall Bracket





Seal Kits - PJDI116 (Ø8)  
 (J009, JDI120, JDI100, PJDI115)  
 PJDI116V(Ø12)  
 (J009, JDI120, JDI100, PJDI115, JDI108)

Approved By:



Option V''

